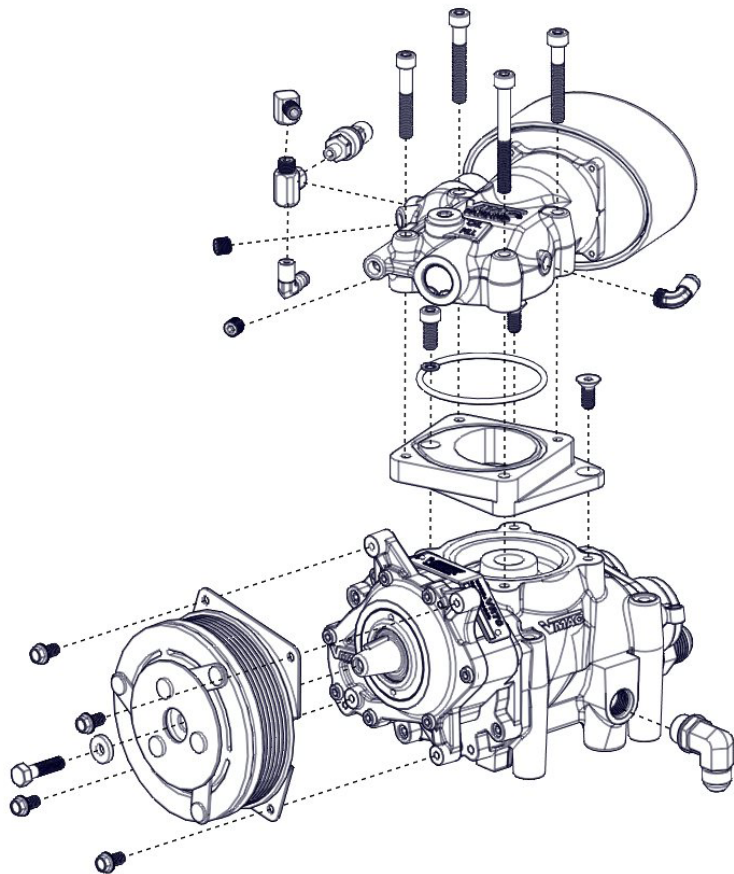


UNDERHOOD™ **40** AIR COMPRESSORS



Illustrated Parts List for VMAC System

V400014

**2015 – 2019 Ford Transit
3.7L Duratec V6**

www.vmacair.com

Illustrated Parts List for VMAC System V40014

2015 – 2019 Ford Transit
3.7L Duratec V6

1. Kit Pack List.....	2
2. Fastener Pack, 3801265	4
3. Compressor Assembly, P130017	6
4. WHASP Tank Assembly, 9230074	8
5. Air Filter Assembly, 4800674	10
6. Wiring Harnesses	11
7. Accessory Products	12

NOTE: Drawings are not to scale.

Document 1930349 – Changes and Revisions

Revision	Revision Details	Revised by	Checked by				Implemented
			Eng.		Tech.	Qual.	
			Mech.	Elec.			
A	ECN 17-008: ENGINEERING RELEASE	CAM	CJH	AJH	BDJ	AWG	12 Mar 2018
B	ECN 18-177: ADD 3550915 & 3551028	CAM	KRM	AJH	BDJ	AWG	14 Aug 2018
C	ECN: 22-009 CAP MODEL YEAR	MSP	N/A	N/A	MSP	N/A	6 Apr 2022
D	ECN 22-060: FITTING UPDATE	TIK	GJM	N/A	RB	LEH	11 Aug 2022

VMAC – Vehicle Mounted Air Compressors

Sales: 877-912-6605

Tech: 888-241-2289

Fax: 877-740-3202

www.vmacair.com

1. Kit Pack List

Item #	Part #	Qty	Description
1	1810120	1	HOSE, CRIMPED, 3/8" X 120"
2	1772120	1	HOSE, CRIMPED, 3/4" X 120"
3	1772028	1	HOSE, CRIMPED, 3/4" X 28"
4	1812028	1	HOSE, CRIMPED, 3/8" X 28"
5	P130017	1	COMP, VR40, TOP INLET, HORZ DISCH
6	1100232	1	BRACKET, FORD TRANSIT, 3.5L EB
7	4800674	1	ASSY, REMOTE AIR FILTER
8	4800770	1	ASSY, INTAKE HOSE, FORD TRANSIT EB
9	9230074	1	ASSY, MAIN, WHASP TANK
10	3560247	1	THROTTLE, VR40, TRANSIT
11	1620368	1	BELT, K040635
12	4800709	1	ASSEMBLY, REMOTE MUFFLER
13	3550986	1	INTERFACE PANEL, VR40
14	3550987	1	CONTROL MODULE, VR40
15	3550985	1	HARNESS, VR40 CONTROL
16	3550988	1	HARNESS, VR40 POWER
17	3550989	1	HARNESS, VR40 PRESSURE
18	3550990	1	HARNESS, VR40 TEMPERATURE
19	3550915	1	HARNESS, TRANSIT ACC +12V, 6 PIN
20	3551028	1	HARNESS, TRANSIT ACC +12V, 8 PIN
21	4800793	1	SYS ID & OP INSTR, V400009/V400014
22	3801265	1	FASTENER PACK, V400014
23	1930335	1	MANUAL, OWNERS, VR40
24	1930348	1	MANUAL, INSTALLATION, V400014
25	1930349	1	ILLUSTRATED PARTS LIST, V400014
26	A700094	1	OIL, VR, 4L, HIGH PERFORMANCE

VMAC – Vehicle Mounted Air Compressors

Sales: 877-912-6605

Tech: 888-241-2289

Fax: 877-740-3202

www.vmacair.com

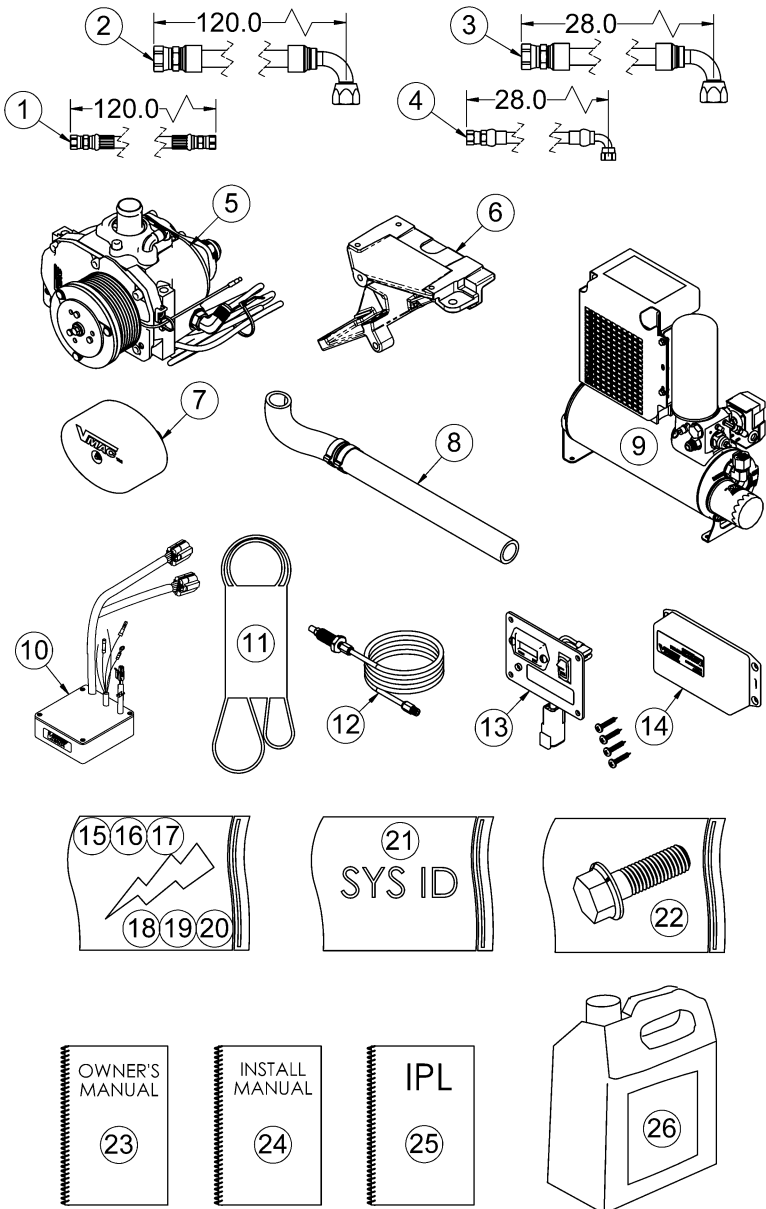


Figure 1 - Kit Pack List

VMAC – Vehicle Mounted Air Compressors

Sales: 877-912-6605

Tech: 888-241-2289

Fax: 877-740-3202

www.vmacair.com

2. Fastener Pack, 3801265

Item #	Part #	Qty	Description
1	3801260	1	FASTENER PACK, COMPRESSOR
1.1	1300044	1	IDLER, BACK, 70MM
1.2	1400421	2	SPACER, 0.313, AC COMP, TRANSIT
1.3	1540134	1	BOLT, SHCS, M8 X 1.25 X 30, G12.9
1.4	1520615	1	BOLT, HHCS FL, PL, GR10.9, M8 X1.25 X50
1.5	1520605	2	BOLT, HHCS, M8-1.25 X 30, FL PL
1.6	1540494	2	BOLT, SHCS, M8 X 1.25 X 90, G12.9
2	3801219	1	FASTENER PACK, AIR FILTER
2.1	1200969	1	BRACKET, AIR FILTER
2.2	2200047	2	CLAMP, HOSE HS16
3	3801228	1	FASTENER PACK, RESERVOIR MOUNT
3.1	1520646	1	BOLT, HHCS G10.9, M6 X 1 X 10 FL PL
3.2	1560516	1	NUT, M6 X 1.0 FL PL
3.3	1200984	1	BRACKET, RESERVOIR RELOCATION
4	3801095	1	FASTENER PACK, BULKHEAD FTGS
4.1	4900209	1	CONN, STEEL, #6 MJIC, BULKHEAD
4.2	4900170	1	CONN, STEEL, 12JIC-12JIC BULKHEAD
4.3	5000178	1	CONNECTOR, BRASS BULKHEAD, 1/8
4.4	5000158	2	ELBOW, BRASS 45 DEG NPT-POLY 1/8-1/4
5	3801241	1	FASTENER PACK, HOSE ROUTING
5.1	2200147	5	CLAMP, C R.I., 2"
5.2	1540526	2	BOLT, SHCS, M8 X 1.25 X 20
5.3	1560407	2	NUT, NYLOCK, M8
5.4	1500120	2	SCREW, TAP + DRILL, 14-3/4
5.5	1540549	1	BOLT, SHCS, M6 X 1 X 18, PLATED, G12.9
5.6	1560516	1	NUT, M6 X 1.0 FL PL
5.7	1570038	1	WASHER, FLAT SAE, 1/4
5.8	1500139	1	SCREW, SHEET METAL SLOTTED, 5/16X3/4
6	3801230	1	FASTENER PACK, TEFLON HOSE
6.1	1700570	30.0	TUBE, TEFLON, PTFE, 1/4"OD
6.2	1700570	125.0	TUBE, TEFLON, PTFE, 1/4"OD
6.3	1700581	30.0	LOOM, SPLIT PLASTIC, 1/4, HIGH TEMP
6.4	1700581	125.0	LOOM, SPLIT PLASTIC, 1/4, HIGH TEMP
6.5	2200039	10.0	TIE, NYLON MD, 7"

VMAC – Vehicle Mounted Air Compressors

Sales: 877-912-6605

Tech: 888-241-2289

Fax: 877-740-3202

www.vmacair.com

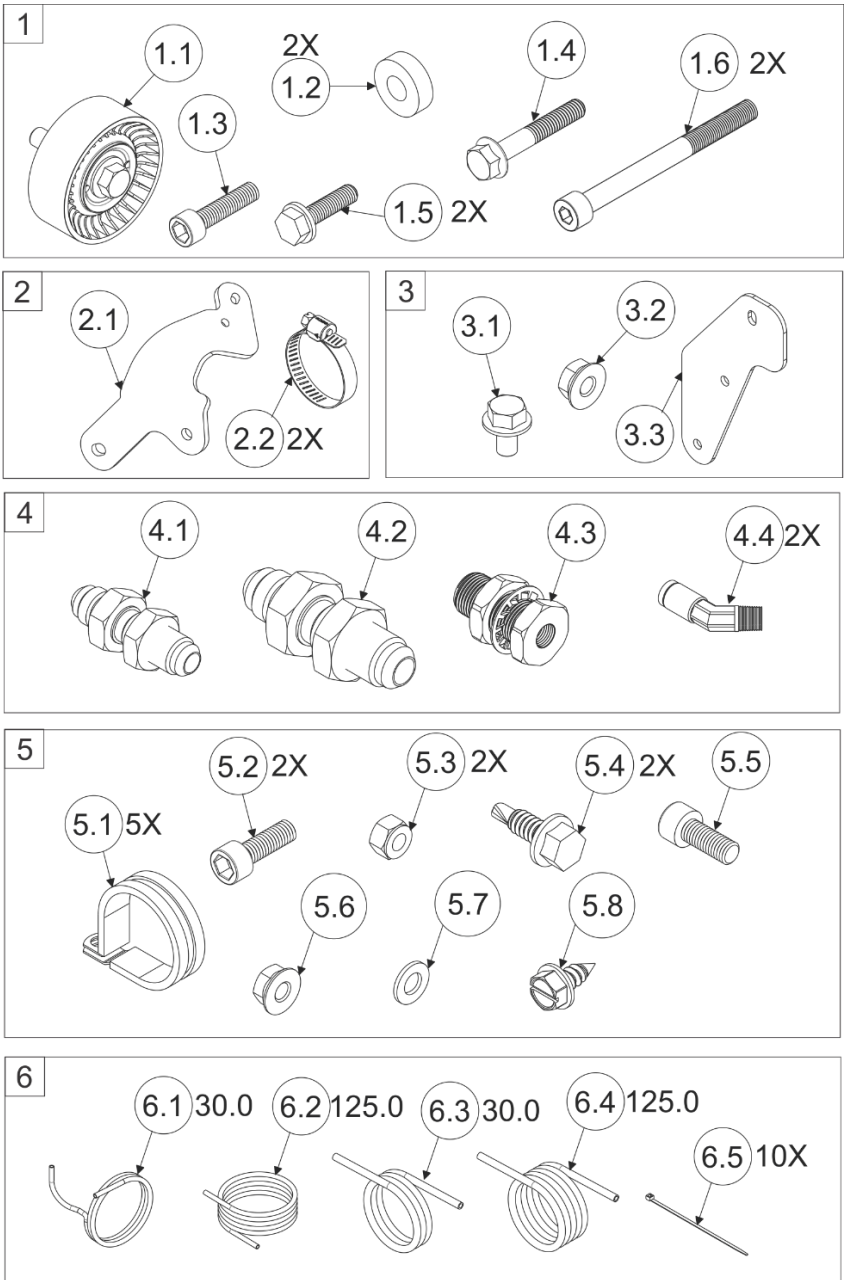


Figure 2 – Fastener Packs

VMAC – Vehicle Mounted Air Compressors

Sales: 877-912-6605

Tech: 888-241-2289

Fax: 877-740-3202

www.vmacair.com

3. Compressor Assembly, P130017

Assembly sub-components listed below

Item #	Part #	Qty	Description
1	4900226	1	CONN, STEEL, #12 MJIC X #8 MORB
2	P200048	1	CLUTCH, COMPLETE, 8 GROOVE, 3.35
3	9230071	1	SPACER, INPUT SHAFT, VR40
4	3200520	1	PIN, FIELD COIL
5	2200250	1	TIE MOUNT, HEAT STABILIZED NYLON
6	1500623	1	SCREW,PT HD,PL F-THRD 6-32 X 1/4"
7	4900045	1	PLUG, STEEL HEX SAE/O-RING PORT
8	4900176	1	CONN, STEEL, 90, #6 JIC - #6 ORB
9	3550682	1	PROBE, ASSY, THERMISTOR, SHORT
10	5000020	1	ELBOW, BRASS NPT-POLY, 1/8-1/4
11	2200164	1	TIE, NYLON, BLACK, 8"

VMAC – Vehicle Mounted Air Compressors

Sales: 877-912-6605

Tech: 888-241-2289

Fax: 877-740-3202

www.vmacair.com

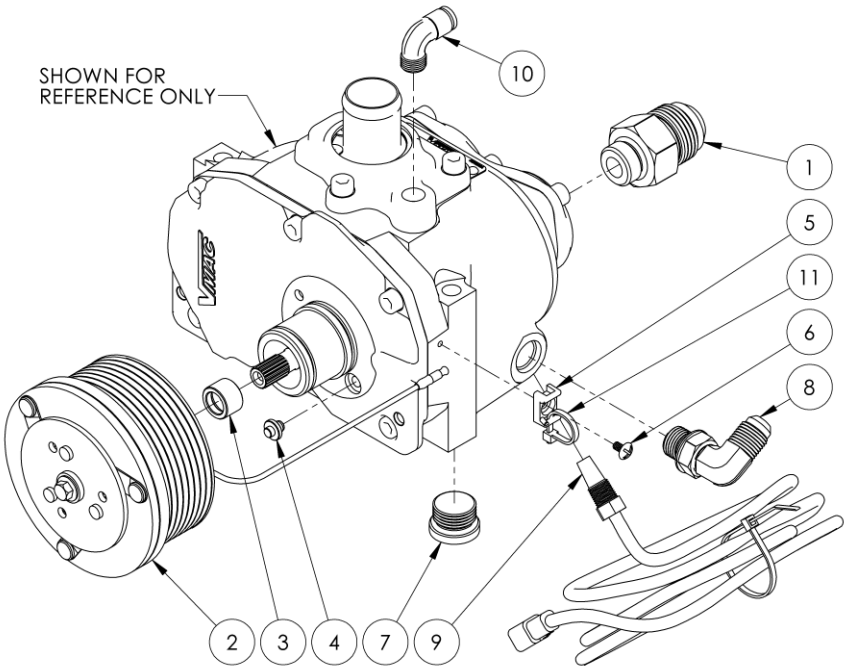


Figure 3 – Compressor Assembly

VMAC – Vehicle Mounted Air Compressors

Sales: 877-912-6605

Tech: 888-241-2289

Fax: 877-740-3202

www.vmacair.com

4. WHASP Tank Assembly, 9230074

Assembly sub-components listed below

Item #	Part #	Qty	Description
1	9230072	1	ASSY, SHROUD AND DECAL
2	3600079	1	OIL SEPARATOR, SPIN-ON
3	9200039	1	OIL FILTER, VR 3.250 SHORT
4	4900164	1	CAP, STEEL, #12JIC
5	3501294	1	SWITCH, PRESSURE, 50-175PSI
6	4300039	1	PIPE FTG, PLUG SKT HEAD, 3/8
7	4500104	1	MUFFLER, SINTERED EXHAUST, 1/8"
8	3600171	1	VALVE, MODIFIED (3600167)
9	4900106	1	PLUG, STEEL, #5 ORB, HEX (VITON-O)
10	3600054	1	VALVE, SAFETY 200 PSI
11	A700061	1	PYREX WINDOW KIT
12	4900175	1	CONN, STEEL, #6 JIC - #8 ORB
13	1200852	1	PLATE, MOUNT, FILTER END
14	1200847	1	PLATE, MOUNT, BOLT ON
15	1520601	4	BOLT, HHCS FL PL, M8 X 1.25 X 12
16	6000719	1	SHROUD, FAN, WHASP TANK
17	3501290	1	FAN, PULLER, 7.5"
18	4900128	1	FITTING, 12ORB -12JIC, STEEL
19	5000140	1	ELBOW, BRASS, FORGED, 90DEG, 1/8 PIPE
20	3600123	1	VALVE, CHECK, 1/8 NPT
21	5000212	1	CONNECTOR, BRASS, FNPT-POLY, 1/8-1/4
22	1520590	8	BOLT, HHCS, M6 X 1.0 X 14 FL PL
23	1560516	4	NUT, M6 X 1.0 FL PL
24	4900260	1	FTG, 90, #12MORB-#12MJIC, VITON
25	4900046	1	CONN, STL, 3/4-16 O-RING TO 1/2 TUBE

VMAC – Vehicle Mounted Air Compressors

Sales: 877-912-6605

Tech: 888-241-2289

Fax: 877-740-3202

www.vmacair.com

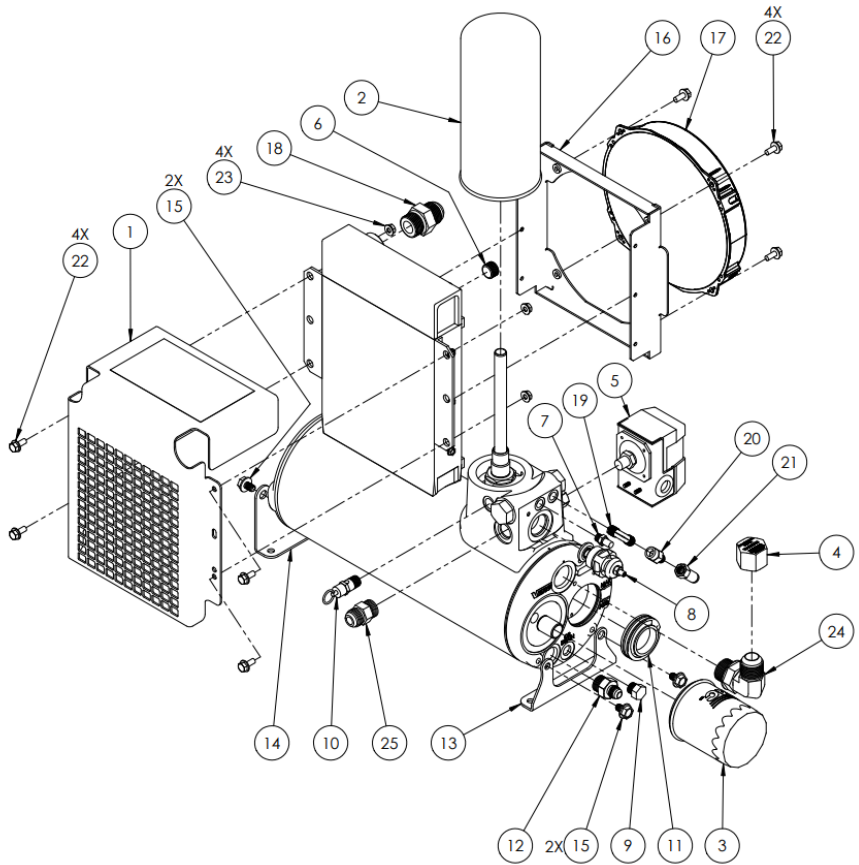


Figure 4 – WHASP Tank Assembly

VMAC – Vehicle Mounted Air Compressors

Sales: 877-912-6605

Tech: 888-241-2289

Fax: 877-740-3202

www.vmacair.com

5. Air Filter Assembly, 4800674

Assembly sub-components listed below

Item #	Part #	Qty	Description
1	3600066	1	COVER, AIR FILTER, PLASTIC
2	3600037	1	FILTER ELEMENT, PAPER
3	1500584	1	STUD, FULL THREAD, PL, M6 X 1.0 X 65
4	1540555	2	BOLT, SHCS, M6X1.0X20, GR12.9 PLT
5	1560438	3	NUT, NYLOCK, M6
6	9230016	1	WELDMENT, REMOTE AIR FILTER
7	1560523	1	NUT, JAM, PL, M6X 1.0
8	1570038	1	WASHER, FLAT SAE, 1/4

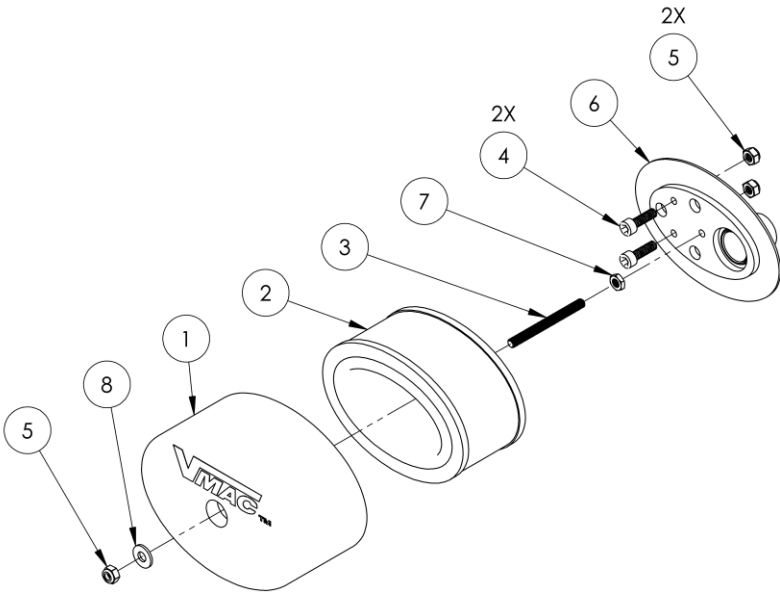


Figure 5 – Air Filter Assembly

VMAC – Vehicle Mounted Air Compressors

Sales: 877-912-6605

Tech: 888-241-2289

Fax: 877-740-3202

www.vmacair.com

6. Wiring Harnesses

Item #	Part #	Qty	Description
1	3550985	1	HARNESS, VR40 CONTROL
2	3550988	1	HARNESS, VR40 POWER
3	3550989	1	HARNESS, VR40 PRESSURE
4	3550990	1	HARNESS, VR40 TEMPERATURE

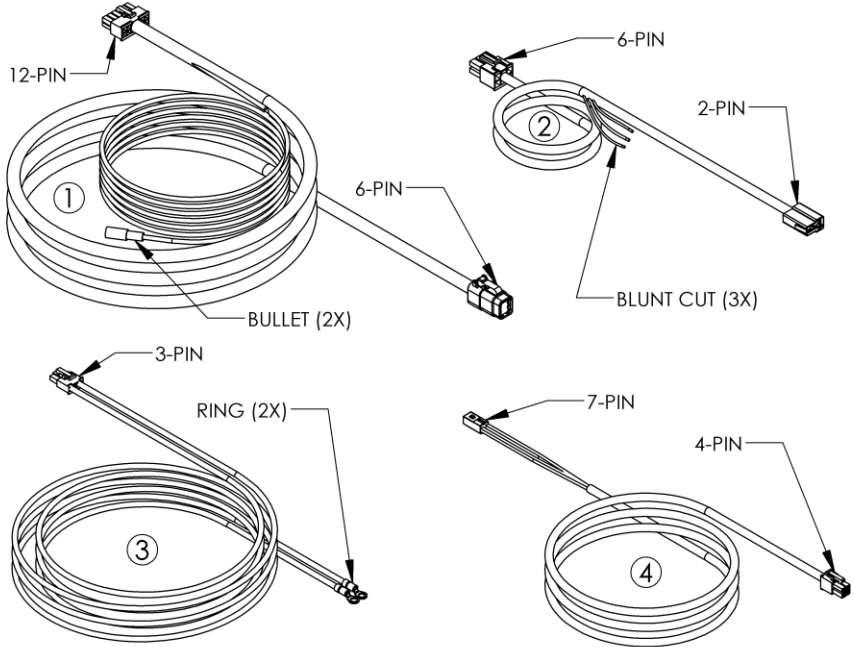


Figure 6 – Wire Harness Identification

VMAC – Vehicle Mounted Air Compressors

Sales: 877-912-6605

Tech: 888-241-2289

Fax: 877-740-3202

www.vmacair.com

7. Accessory Products

Parts listed below are not included with kit - Order through your VMAC dealer

Part #	Description
REGULAR SERVICE KITS	
A700263	200 HOUR SERVICE KIT - VR40 <i>Oil, air and oil filters, next service decal</i>
A700264	400 HOUR SERVICE KIT - VR40 <i>200 hour kit components + coalescing filter, safety valve, blowdown muffler</i>
INSTALLATION HELPER AND REPAIR KITS	
3801095	FASTENER PACK, BULKHEAD FTGS <i>Fittings to route #6 & #12 hoses and 1/4" PTFE tubes through bulkheads or floors</i>
A700224	ACCESSORY PACK, REMOTE MUFFLER <i>Tubing and fittings to relocate WHASP blowdown muffler through bulkheads or floors</i>
A700268	KIT, PTFE TUBE, SCAVENGE <i>Generic parts kit for scavenge tube replacement</i>
A700265	INTERFACE EXTENSION, VR40, 10' <i>Electrical extension harness for user interface panel</i>
INDIVIDUAL FITTINGS	
5000158	ELBOW, BRASS 45 DEG NPT-POLY 1/8-1/4 <i>45° 1/8 MNPT - 1/4" push connect fitting</i>
5000020	ELBOW, BRASS NPT-POLY, 1/8-1/4 <i>90° 1/8 MNPT - 1/4" push connect fitting</i>
5000012	CONNECTOR, BRASS NPT-POLY, 1/8-1/4 <i>Straight 1/8 MNPT - 1/4" push connect fitting</i>
4900117	JIC 90 DEG STEEL, SWIVEL, 3/8 -3/8 <i>90° #6 MJIC - #6 FJIC swivel fitting</i>
4900043	ELBOW, STEEL JIC/JIC SWIVEL, 3/4 <i>90° #12 MJIC - #12 FJIC swivel fitting</i>
AIR HANDLING AND STORAGE	
A700007	HOSE REEL, DRESSED, 1/2 X 50 <i>Auto-retract, 1/2" ID x 50' long hose, 1/2 NPT connections</i>
A800070	AFTERCOOLER, ELIMINATOR70, 70CFM <i>Cools and dries discharge air, 12V fan, 3/4 NPT connections</i>
A700151	FILTER-REGULATOR-LUBRICATOR <i>Conditions discharge air, 3/4 NPT connections, tool oil not included</i>
A300045	TANK, AIR RECEIVER 6 GAL C/W FTGS <i>6 gal wing tank, includes fittings, safety + drain valves, 3/4 NPT ports</i>
A300047	TANK, AIR RECEIVER 10 GAL C/W FTG <i>10 gal surface mount tank, includes fittings, gauge, safety + drain valves, 3/4 NPT ports</i>
A300010	TANK, WING 35 GAL C/W FTG <i>35 gal wing tank, includes fittings, gauge, safety + drain valves, 1 1/2 NPT ports</i>

VMAC – Vehicle Mounted Air Compressors

Sales: 877-912-6605

Tech: 888-241-2289

Fax: 877-740-3202

www.vmacair.com

Manufactured by



888-241-2289



tech@vmacair.com



877-740-3202



warranty@vmacair.com



www.vmacair.com



kb.vmacair.com



1333 Kipp Road, Nanaimo, B.C., V9X 1R3 Canada