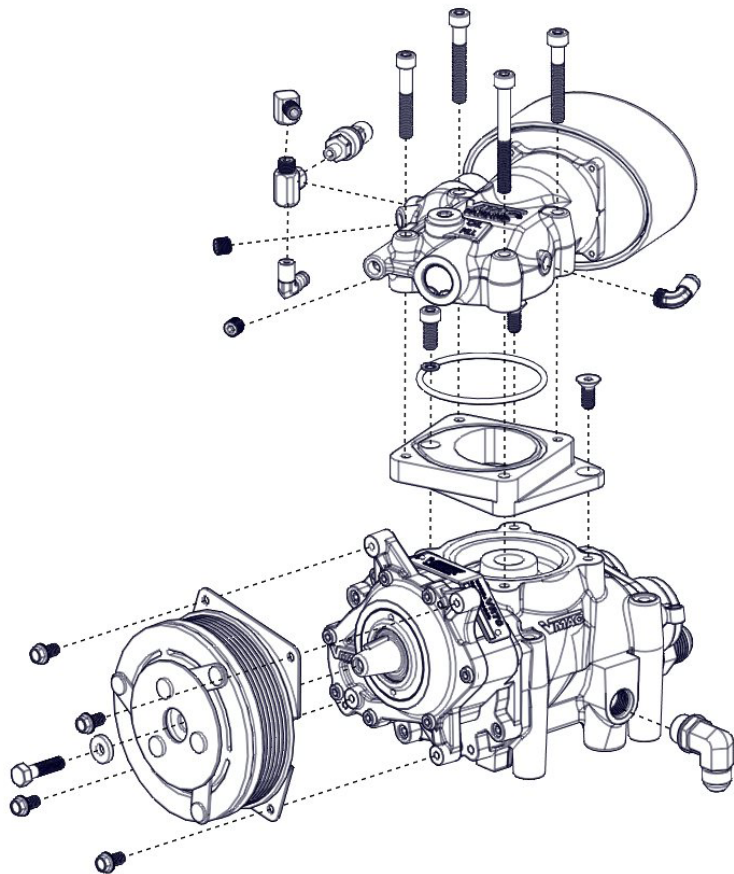


UNDERHOOD™ **40** AIR COMPRESSORS



Illustrated Parts List for VMAC System

V400010

**2015 – 2019 Ford Transit
3.7 L Duratec V6**

www.vmacair.com

Illustrated Parts List for VMAC System V40010

2015 – 2019 Ford Transit
3.7L Duratec V6

| | |
|---------------------------------------|----|
| 1. Kit Pack List..... | 2 |
| 2. Fastener Pack, 3801348..... | 4 |
| 3. Compressor Assembly, P130017 | 6 |
| 4. WHASP Tank Assembly, 9230074 | 8 |
| 5. Air Filter Assembly, 4800674 | 10 |
| 6. Wiring Harnesses | 11 |
| 7. Accessory Products | 12 |

NOTE: Drawings are not to scale.

Document 1930402 – Changes and Revisions

| Revision | Revision Details | Revised by | Checked by | | | | Implemented |
|----------|---------------------------------|------------|------------|-------|-------|-------|-------------|
| | | | Eng. | | Tech. | Qual. | |
| | | | Mech. | Elec. | | | |
| A | ECN 19-159: ENGINEERING RELEASE | MRH | NAC | N/A | MSP | N/A | 8 Oct 2019 |
| B | ECN 22-008 CAP MODEL YEAR | MSP | N/A | N/A | MSP | N/A | 31 May 2022 |
| C | ECN 22-060: FITTING UPDATE | TIK | GJM | N/A | RB | LEH | 11AUG2022 |

VMAC – Vehicle Mounted Air Compressors

Sales: 877-912-6605

Tech: 888-241-2289

Fax: 877-740-3202

www.vmacair.com

1. Kit Pack List

| Item # | Part # | Qty | Description |
|--------|---------|-----|------------------------------------|
| 1 | 1810120 | 1 | HOSE, CRIMPED, 3/8" X 120" |
| 2 | 1772120 | 1 | HOSE, CRIMPED, 3/4" X 120" |
| 3 | 1772040 | 1 | HOSE, CRIMPED, 3/4" X 40" |
| 4 | 1812040 | 1 | HOSE, CRIMPED, 3/8" X 40" |
| 5 | P130017 | 1 | COMP, VR40, TOP INLET, HORZ DISCH |
| 6 | 1100232 | 1 | BRACKET, FORD TRANSIT, 3.5L EB |
| 7 | 4800674 | 1 | ASSY, REMOTE AIR FILTER |
| 8 | 4800770 | 1 | ASSY, INTAKE HOSE, FORD TRANSIT EB |
| 9 | 9230074 | 1 | ASSY, MAIN, WHASP TANK |
| 10 | 3560247 | 1 | THROTTLE, VR40, TRANSIT |
| 11 | 1620368 | 1 | BELT, K040635 |
| 12 | 4800709 | 1 | ASSEMBLY, REMOTE MUFFLER |
| 13 | 3550986 | 1 | INTERFACE PANEL, VR40 |
| 14 | 3550987 | 1 | CONTROL MODULE, VR40 |
| 15 | 3550985 | 1 | HARNESS, VR40 CONTROL |
| 16 | 3550988 | 1 | HARNESS, VR40 POWER |
| 17 | 3550989 | 1 | HARNESS, VR40 PRESSURE |
| 18 | 3550990 | 1 | HARNESS, VR40 TEMPERATURE |
| 19 | 3550915 | 1 | HARNESS, TRANSIT ACC +12V, 6 PIN |
| 20 | 3551028 | 1 | HARNESS, TRANSIT ACC +12V, 8 PIN |
| 21 | 4800793 | 1 | SYS ID & OP INSTR, V400009/V400014 |
| 22 | 3801348 | 1 | FASTENER PACK, V400010 |
| 23 | 1930335 | 1 | MANUAL, OWNERS, VR40 |
| 24 | 1930401 | 1 | MANUAL, INSTALLATION, V400010 |
| 25 | 1930402 | 1 | ILLUSTRATED PARTS LIST, V400010 |
| 26 | A700094 | 1 | OIL, VR, 4L, HIGH PERFORMANCE |

VMAC – Vehicle Mounted Air Compressors

Sales: 877-912-6605

Tech: 888-241-2289

Fax: 877-740-3202

www.vmacair.com

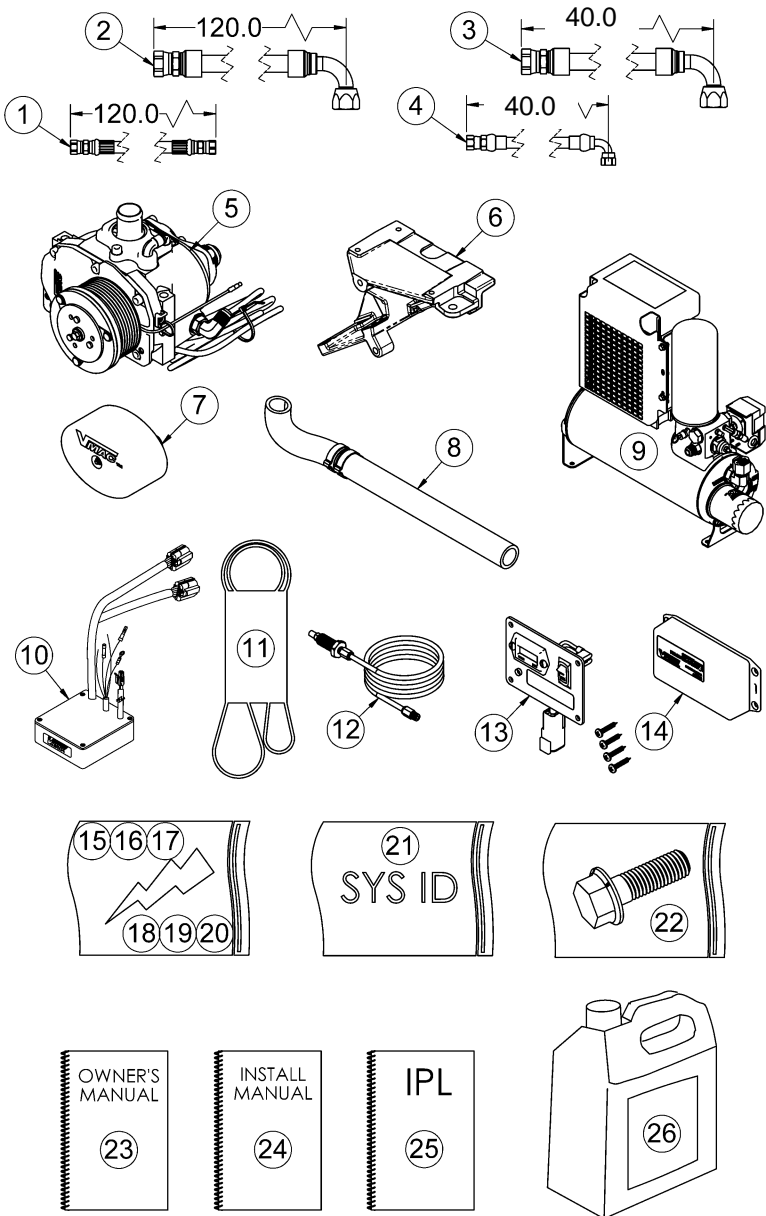


Figure 1 - Kit Pack List

VMAC – Vehicle Mounted Air Compressors

Sales: 877-912-6605

Tech: 888-241-2289

Fax: 877-740-3202

www.vmacair.com

2. Fastener Pack, 3801348

| Item # | Part # | Qty | Description |
|--------|---------|-------|---|
| 1 | 3801260 | 1 | FASTENER PACK, COMPRESSOR |
| 1.1 | 1300044 | 1 | IDLER, BACK, 70MM |
| 1.2 | 1400421 | 2 | SPACER, 0.313, AC COMP, TRANSIT |
| 1.3 | 1540134 | 1 | BOLT, SHCS, M8 X 1.25 X 30, G12.9 |
| 1.4 | 1520615 | 1 | BOLT, HHCS FL, PL, GR10.9, M8 X1.25 X50 |
| 1.5 | 1520605 | 2 | BOLT, HHCS, M8-1.25 X 30, FL PL |
| 1.6 | 1540494 | 2 | BOLT, SHCS, M8 X 1.25 X 90, G12.9 |
| 2 | 3801219 | 1 | FASTENER PACK, AIR FILTER |
| 2.1 | 1200969 | 1 | BRACKET, AIR FILTER |
| 2.2 | 2200047 | 2 | CLAMP, HOSE HS16 |
| 3 | 3801228 | 1 | FASTENER PACK, RESERVOIR MOUNT |
| 3.1 | 1520646 | 1 | BOLT, HHCS G10.9, M6 X 1 X 10 FL PL |
| 3.2 | 1560516 | 1 | NUT, M6 X 1.0 FL PL |
| 3.3 | 1200984 | 1 | BRACKET, RESERVOIR RELOCATION |
| 4 | 3801095 | 1 | FASTENER PACK, BULKHEAD FTGS |
| 4.1 | 4900209 | 1 | CONN, STEEL, #6 MJIC, BULKHEAD |
| 4.2 | 4900170 | 1 | CONN, STEEL, 12JIC-12JIC BULKHEAD |
| 4.3 | 5000178 | 1 | CONNECTOR, BRASS BULKHEAD, 1/8 |
| 4.4 | 5000158 | 2 | ELBOW, BRASS 45 DEG NPT-POLY 1/8-1/4 |
| 5 | 3801241 | 1 | FASTENER PACK, HOSE ROUTING |
| 5.1 | 2200147 | 5 | CLAMP, C R.I., 2" |
| 5.2 | 1540526 | 2 | BOLT, SHCS, M8 X 1.25 X 20 |
| 5.3 | 1560407 | 2 | NUT, NYLOCK, M8 |
| 5.4 | 1500120 | 2 | SCREW, TAP + DRILL, 14-3/4 |
| 5.5 | 1540549 | 1 | BOLT, SHCS, M6 X 1 X 18, PLATED, G12.9 |
| 5.6 | 1560516 | 1 | NUT, M6 X 1.0 FL PL |
| 5.7 | 1570038 | 1 | WASHER, FLAT SAE, 1/4 |
| 5.8 | 1500139 | 1 | SCREW, SHEET METAL SLOTTED, 5/16X3/4 |
| 6 | 3801347 | 1 | FASTENER PACK, TEFLON HOSE |
| 6.1 | 1700570 | 42.0 | TUBE, TEFLON, PTFE, 1/4"OD |
| 6.2 | 1700570 | 125.0 | TUBE, TEFLON, PTFE, 1/4"OD |
| 6.3 | 1700581 | 40.0 | LOOM, SPLIT PLASTIC, 1/4, HIGH TEMP |
| 6.4 | 1700581 | 125.0 | LOOM, SPLIT PLASTIC, 1/4, HIGH TEMP |
| 6.5 | 2200039 | 10.0 | TIE, NYLON MD, 7" |

VMAC – Vehicle Mounted Air Compressors

Sales: 877-912-6605

Tech: 888-241-2289

Fax: 877-740-3202

www.vmacair.com

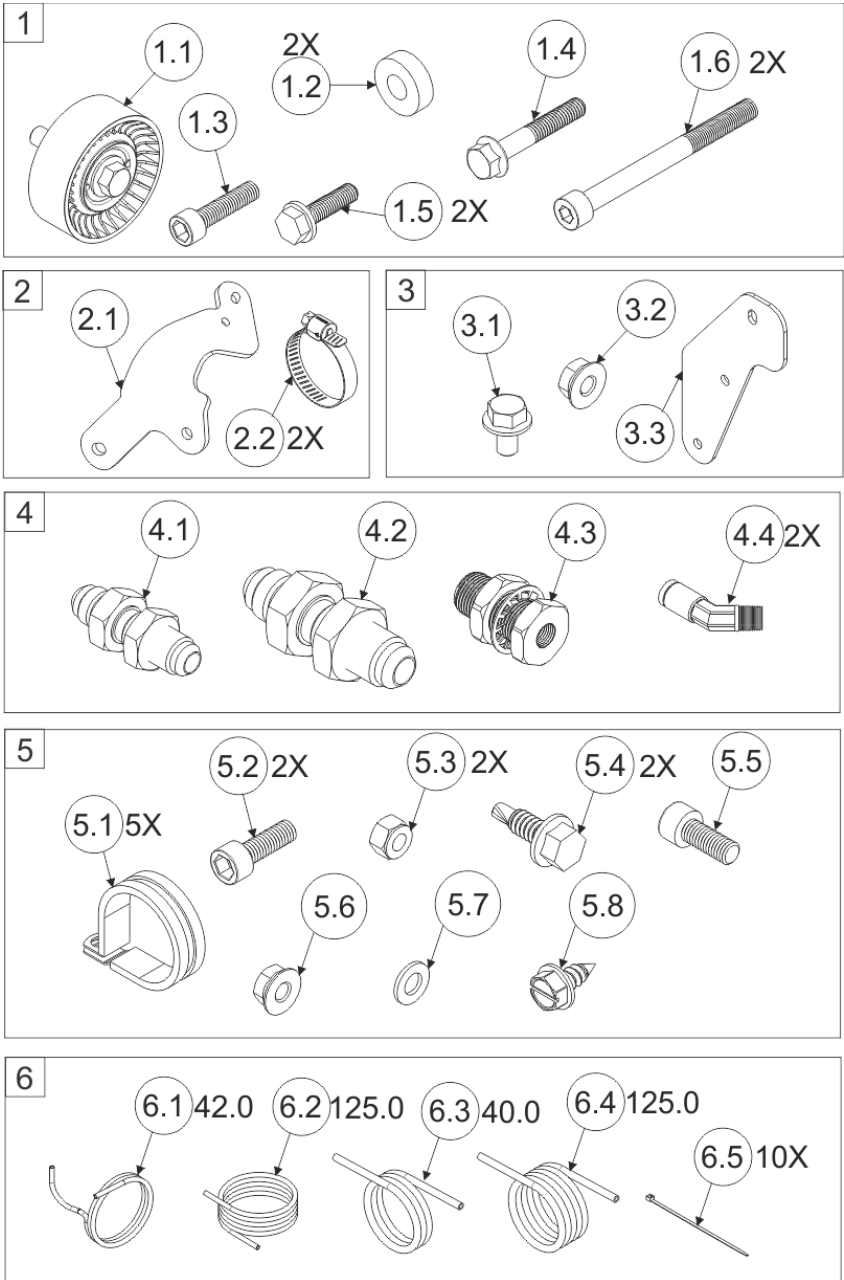


Figure 2 – Fastener Packs

VMAC – Vehicle Mounted Air Compressors

Sales: 877-912-6605

Tech: 888-241-2289

Fax: 877-740-3202

www.vmacair.com

3. Compressor Assembly, P130017

Assembly sub-components listed below

| Item # | Part # | Qty | Description |
|--------|---------|-----|-----------------------------------|
| 1 | 4900226 | 1 | CONN, STEEL, #12 MJIC X #8 MORB |
| 2 | P200048 | 1 | CLUTCH, COMPLETE, 8 GROOVE, 3.35 |
| 3 | 9230071 | 1 | SPACER, INPUT SHAFT, VR40 |
| 4 | 3200520 | 1 | PIN, FIELD COIL |
| 5 | 2200250 | 1 | TIE MOUNT, HEAT STABILIZED NYLON |
| 6 | 1500623 | 1 | SCREW,PT HD,PL F-THRD 6-32 X 1/4" |
| 7 | 4900045 | 1 | PLUG, STEEL HEX SAE/O-RING PORT |
| 8 | 4900176 | 1 | CONN, STEEL, 90, #6 JIC - #6 ORB |
| 9 | 3550682 | 1 | PROBE, ASSY, THERMISTOR, SHORT |
| 10 | 5000020 | 1 | ELBOW, BRASS NPT-POLY, 1/8-1/4 |
| 11 | 2200164 | 1 | TIE, NYLON, BLACK, 8" |

VMAC – Vehicle Mounted Air Compressors

Sales: 877-912-6605

Tech: 888-241-2289

Fax: 877-740-3202

www.vmacair.com

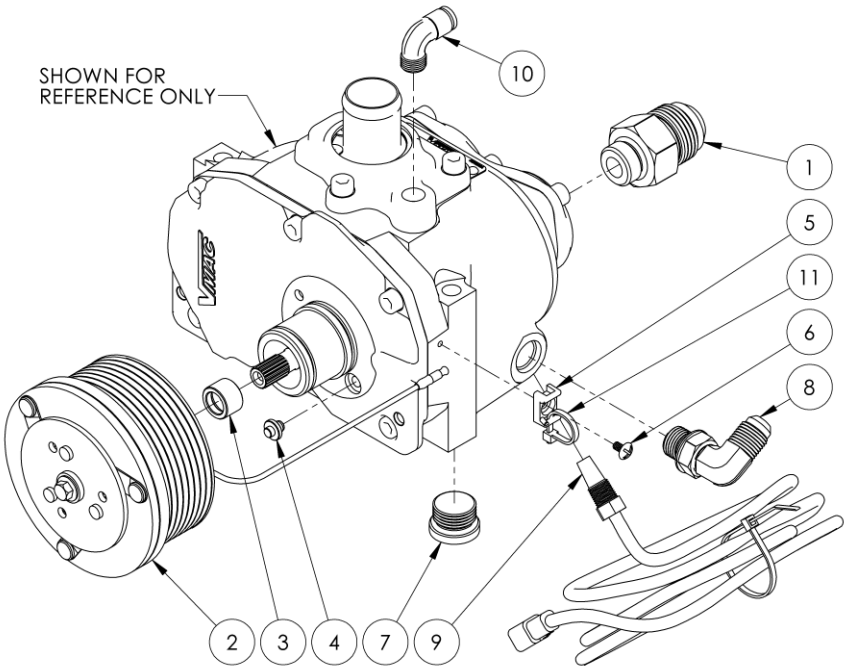


Figure 3 – Compressor Assembly

VMAC – Vehicle Mounted Air Compressors

Sales: 877-912-6605

Tech: 888-241-2289

Fax: 877-740-3202

www.vmacair.com

4. WHASP Tank Assembly, 9230074

Assembly sub-components listed below

| Item # | Part # | Qty | Description |
|--------|---------|-----|-------------------------------------|
| 1 | 9230072 | 1 | ASSY, SHROUD AND DECAL |
| 2 | 3600079 | 1 | OIL SEPARATOR, SPIN-ON |
| 3 | 9200039 | 1 | OIL FILTER, VR 3.250 SHORT |
| 4 | 4900164 | 1 | CAP, STEEL, #12JIC |
| 5 | 3501294 | 1 | SWITCH, PRESSURE, 50-175PSI |
| 6 | 4300039 | 1 | PIPE FTG, PLUG SKT HEAD, 3/8 |
| 7 | 4500104 | 1 | MUFFLER, SINTERED EXHAUST, 1/8" |
| 8 | 3600171 | 1 | VALVE, MODIFIED (3600167) |
| 9 | 4900106 | 1 | PLUG, STEEL, #5 ORB, HEX (VITON-O) |
| 10 | 3600054 | 1 | VALVE, SAFETY 200 PSI |
| 11 | A700061 | 1 | PYREX WINDOW KIT |
| 12 | 4900175 | 1 | CONN, STEEL, #6 JIC - #8 ORB |
| 13 | 1200852 | 1 | PLATE, MOUNT, FILTER END |
| 14 | 1200847 | 1 | PLATE, MOUNT, BOLT ON |
| 15 | 1520601 | 4 | BOLT, HHCS FL PL, M8 X 1.25 X 12 |
| 16 | 6000719 | 1 | SHROUD, FAN, WHASP TANK |
| 17 | 3501290 | 1 | FAN, PULLER, 7.5" |
| 18 | 4900128 | 1 | FITTING, 12ORB -12JIC, STEEL |
| 19 | 5000140 | 1 | ELBOW, BRASS,FORGED, 90DEG,1/8 PIPE |
| 20 | 3600123 | 1 | VALVE, CHECK, 1/8 NPT |
| 21 | 5000212 | 1 | CONNECTOR,BRASS, FNPT-POLY, 1/8-1/4 |
| 22 | 1520590 | 8 | BOLT, HHCS, M6 X 1.0 X 14 FL PL |
| 23 | 1560516 | 4 | NUT, M6 X 1.0 FL PL |
| 24 | 4900260 | 1 | FTG, 90, #12MORB-#12MJIC, VITON |
| 25 | 4900046 | 1 | CONN, STL,3/4-16 O-RING TO 1/2 TUBE |

VMAC – Vehicle Mounted Air Compressors

Sales: 877-912-6605

Tech: 888-241-2289

Fax: 877-740-3202

www.vmacair.com

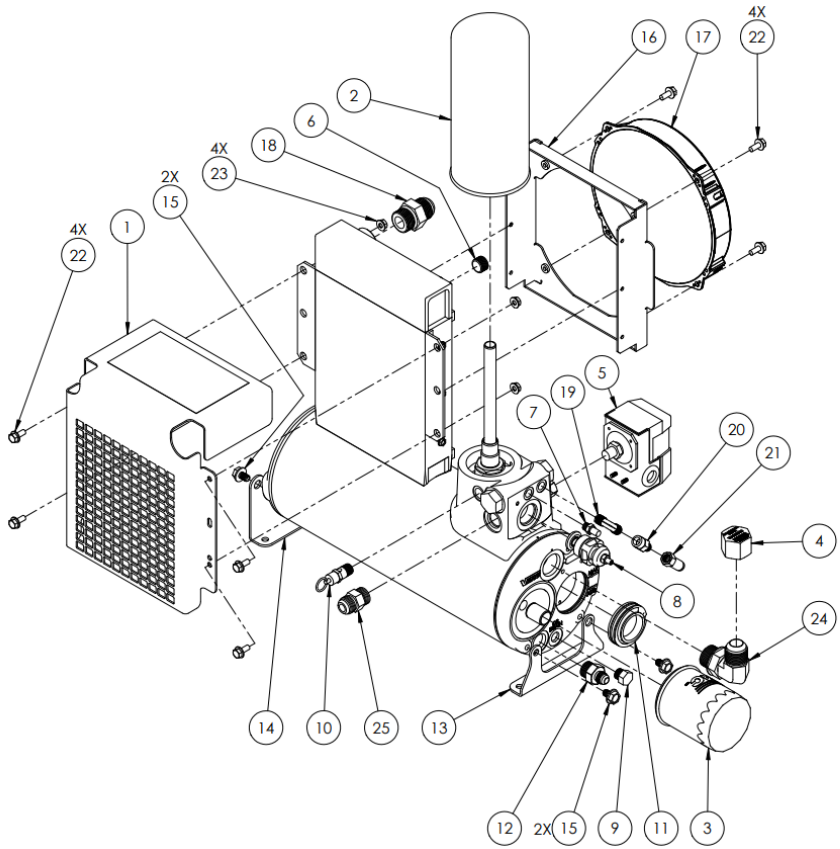


Figure 4 – WHASP Tank Assembly

VMAC – Vehicle Mounted Air Compressors

Sales: 877-912-6605

Tech: 888-241-2289

Fax: 877-740-3202

www.vmacair.com

5. Air Filter Assembly, 4800674

Assembly sub-components listed below

| Item # | Part # | Qty | Description |
|--------|---------|-----|--------------------------------------|
| 1 | 3600066 | 1 | COVER, AIR FILTER, PLASTIC |
| 2 | 3600037 | 1 | FILTER ELEMENT, PAPER |
| 3 | 1500584 | 1 | STUD, FULL THREAD, PL, M6 X 1.0 X 65 |
| 4 | 1540555 | 2 | BOLT, SHCS, M6X1.0X20, GR12.9 PLT |
| 5 | 1560438 | 3 | NUT, NYLOCK, M6 |
| 6 | 9230016 | 1 | WELDMENT, REMOTE AIR FILTER |
| 7 | 1560523 | 1 | NUT, JAM, PL, M6X 1.0 |
| 8 | 1570038 | 1 | WASHER, FLAT SAE, 1/4 |

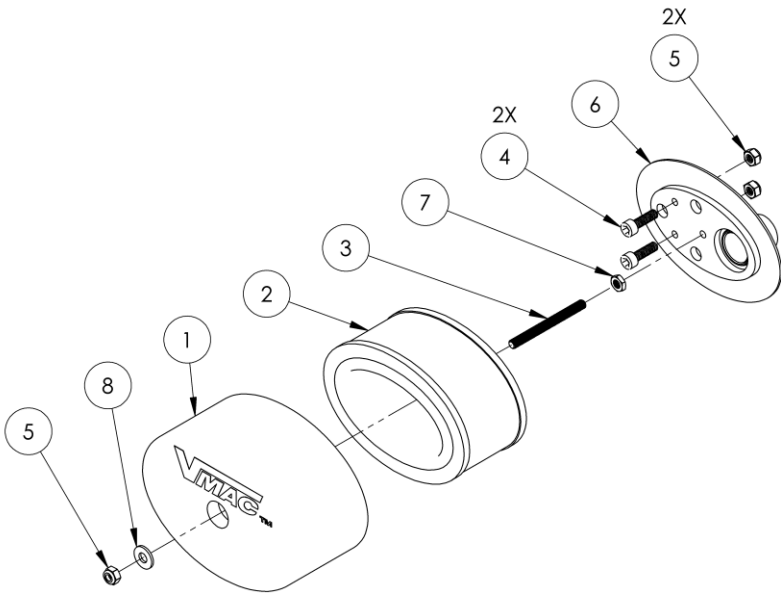


Figure 5 – Air Filter Assembly

VMAC – Vehicle Mounted Air Compressors

Sales: 877-912-6605

Tech: 888-241-2289

Fax: 877-740-3202

www.vmacair.com

6. Wiring Harnesses

| Item # | Part # | Qty | Description |
|--------|---------|-----|---------------------------|
| 1 | 3550985 | 1 | HARNESS, VR40 CONTROL |
| 2 | 3550988 | 1 | HARNESS, VR40 POWER |
| 3 | 3550989 | 1 | HARNESS, VR40 PRESSURE |
| 4 | 3550990 | 1 | HARNESS, VR40 TEMPERATURE |

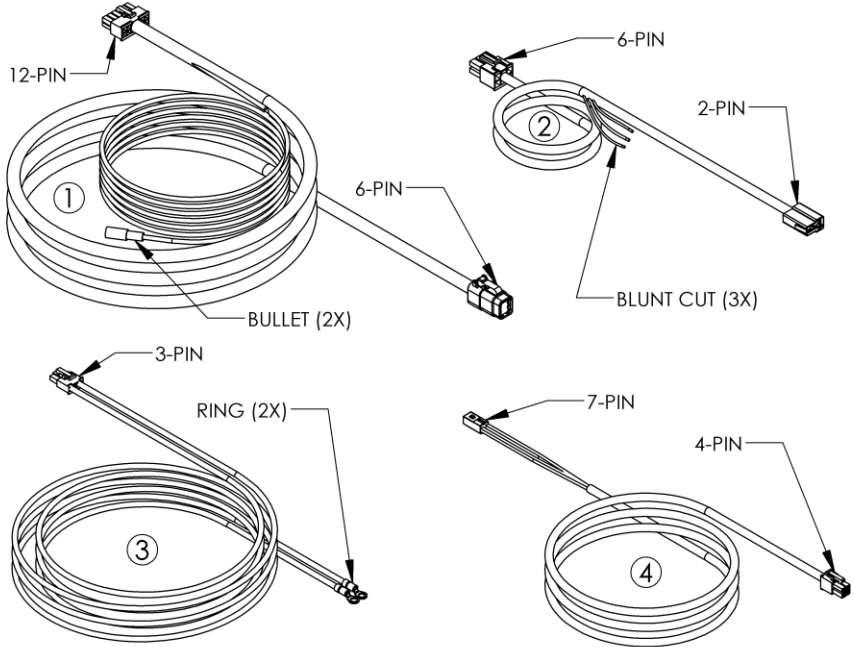


Figure 6 – Wire Harness Identification

VMAC – Vehicle Mounted Air Compressors

Sales: 877-912-6605

Tech: 888-241-2289

Fax: 877-740-3202

www.vmacair.com

7. Accessory Products

Parts listed below are not included with kit - Order through your VMAC dealer

| Part # | Description |
|--|---|
| REGULAR SERVICE KITS | |
| A700263 | 200 HOUR SERVICE KIT - VR40 <i>Oil, air and oil filters, next service decal</i> |
| A700264 | 400 HOUR SERVICE KIT - VR40 <i>200 hour kit components + coalescing filter, safety valve, blowdown muffler</i> |
| INSTALLATION HELPER AND REPAIR KITS | |
| 3801095 | FASTENER PACK, BULKHEAD FTGS <i>Fittings to route #6 & #12 hoses and 1/4" PTFE tubes through bulkheads or floors</i> |
| A700224 | ACCESSORY PACK, REMOTE MUFFLER <i>Tubing and fittings to relocate WHASP blowdown muffler through bulkheads or floors</i> |
| A700268 | KIT, PTFE TUBE, SCAVENGE <i>Generic parts kit for scavenge tube replacement</i> |
| A700265 | INTERFACE EXTENSION, VR40, 10' <i>Electrical extension harness for user interface panel</i> |
| INDIVIDUAL FITTINGS | |
| 5000158 | ELBOW, BRASS 45 DEG NPT-POLY 1/8-1/4 <i>45° 1/8 MNPT - 1/4" push connect fitting</i> |
| 5000020 | ELBOW, BRASS NPT-POLY, 1/8-1/4 <i>90° 1/8 MNPT - 1/4" push connect fitting</i> |
| 5000012 | CONNECTOR, BRASS NPT-POLY, 1/8-1/4 <i>Straight 1/8 MNPT - 1/4" push connect fitting</i> |
| 4900117 | JIC 90 DEG STEEL, SWIVEL, 3/8 -3/8 <i>90° #6 MJIC - #6 FJIC swivel fitting</i> |
| 4900043 | ELBOW, STEEL JIC/JIC SWIVEL, 3/4 <i>90° #12 MJIC - #12 FJIC swivel fitting</i> |
| AIR HANDLING AND STORAGE | |
| A700007 | HOSE REEL, DRESSED, 1/2 X 50 <i>Auto-retract, 1/2" ID x 50' long hose, 1/2 NPT connections</i> |
| A800070 | AFTERCOOLER, ELIMINATOR70, 70CFM <i>Cools and dries discharge air, 12V fan, 3/4 NPT connections</i> |
| A700151 | FILTER-REGULATOR-LUBRICATOR <i>Conditions discharge air, 3/4 NPT connections, tool oil not included</i> |
| A300045 | TANK, AIR RECEIVER 6 GAL C/W FTGS <i>6 gal wing tank, includes fittings, safety + drain valves, 3/4 NPT ports</i> |
| A300047 | TANK, AIR RECEIVER 10 GAL C/W FTG <i>10 gal surface mount tank, includes fittings, gauge, safety + drain valves, 3/4 NPT ports</i> |
| A300010 | TANK, WING 35 GAL C/W FTG <i>35 gal wing tank, includes fittings, gauge, safety + drain valves, 1 1/2 NPT ports</i> |

VMAC – Vehicle Mounted Air Compressors

Sales: 877-912-6605

Tech: 888-241-2289

Fax: 877-740-3202

www.vmacair.com

Manufactured by



888-241-2289



tech@vmacair.com



877-740-3202



warranty@vmacair.com



www.vmacair.com



kb.vmacair.com



1333 Kipp Road, Nanaimo, B.C., V9X 1R3 Canada