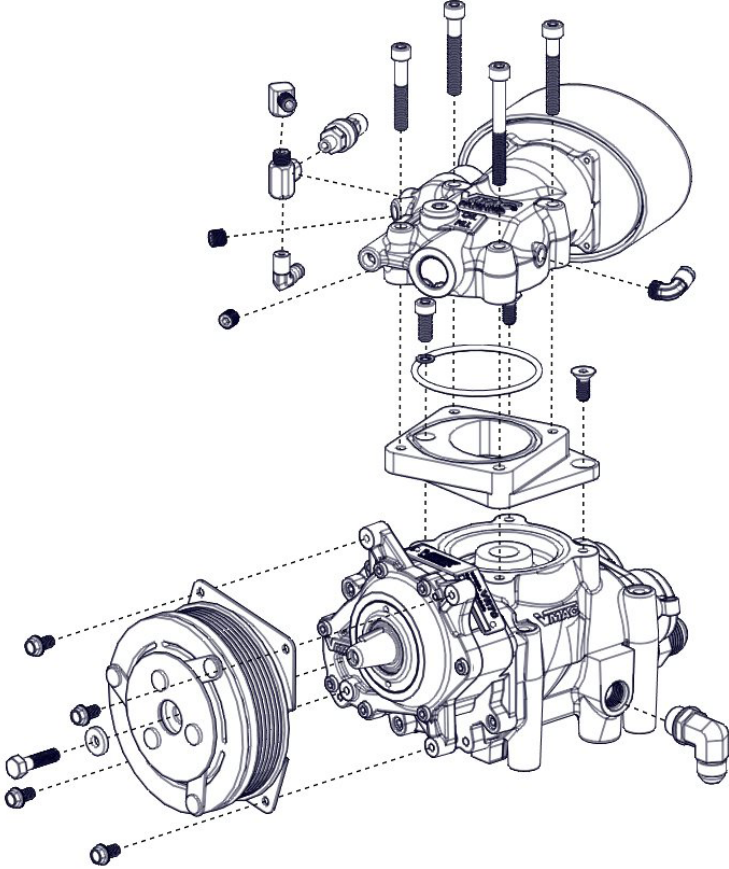


# ***UNDERHOOD***™ **40** AIR COMPRESSORS



## **Illustrated Parts List for VMAC System**

**V400023**

**2019 – 2022 Mercedes Sprinter  
2.1 L Diesel**

**[www.vmacair.com](http://www.vmacair.com)**



# Illustrated Parts List for VMAC System V40023

VR40, Mercedes 2.1L Diesel L4, Sprinter, 2019-2022

1.	Kit Pack List.....	2
2.	Fastener Pack, 3801480 .....	4
3.	Horizontal Discharge Compressor, P130030.....	6
4.	WHASP Tank Assembly, 9230074 .....	8
5.	Air Filter Assembly, 4800674 .....	10
6.	Electrical Pack, Control, 3810112.....	11
7.	Electrical Pack, MCON Pedal, 3810114 .....	12
8.	Accessory Products .....	13

NOTE: drawings are not to scale.

Document 1930459

### Changes and Revisions

Revision	Revision Details	Revised by	Checked by				Implemented
			Eng.		Tech.	Qual.	
			Mech.	Elec.			
A	ECN 22-128: ENGINEERING RELEASE	KRM	CAM	ASE	DB	LH	18/JUL/2022

**VMAC – Vehicle Mounted Air Compressors**

Sales: 877-912-6605

Tech: 888-241-2289

Fax: 877-740-3202

www.vmacair.com

## 1. Kit Pack List

Item #	Part #	Qty	Description
1	P130030	1	COMP, VR40, TOP INLET, HORZ DISCH
2	1100266	1	BRACKET, MAIN, MB 4 CYL DSL
3	2600143	1	TENSIONER, MODIFIED (3300036)
4	1610376	1	BELT, 6 RIB, K060420
5	9230074	1	ASSY, MAIN, WHASP TANK
6	4800709	1	ASSEMBLY, REMOTE MUFFLER
7	4800674	1	ASSY, REMOTE AIR FILTER
8	4800878	1	ASSY, AIR INTAKE
9	3560284	1	VR, DTC U40 SPRINTER 2.1D 2019+
10	3550986	1	INTERFACE PANEL, VR40
11	3550987	1	CONTROL MODULE, VR40
12	3551129	1	CAN CONVERTER, SPRINTER
13	3810114	1	ELEC PACK, U40, MCON PEDAL, INTRLCK
14	3810112	1	ELEC PACK, U40, CONTROL INTERLOCK
15	4800879	1	SYS ID & OP INSTR, MB 2.1 DSL
16	3801480	1	FASTENER PACK, MB 4CYL DSL
17	1771122	1	HOSE, CRIMPED, 3/4" X 122"
18	1810125	1	HOSE, CRIMPED, 3/8" X 125"
19	1772096	1	HOSE, CRIMPED, 3/4" X 96"
20	1812084	1	HOSE, CRIMPED, 3/8" X 84"
21	A700094	1	OIL, VR, 4L, HIGH PERFORMANCE
22	1930335	1	MANUAL, OWNERS, VR40
23	1930458	1	MANUAL, INSTALLATION, V400023
24	1930459	1	ILLUSTRATED PARTS LIST, V400023

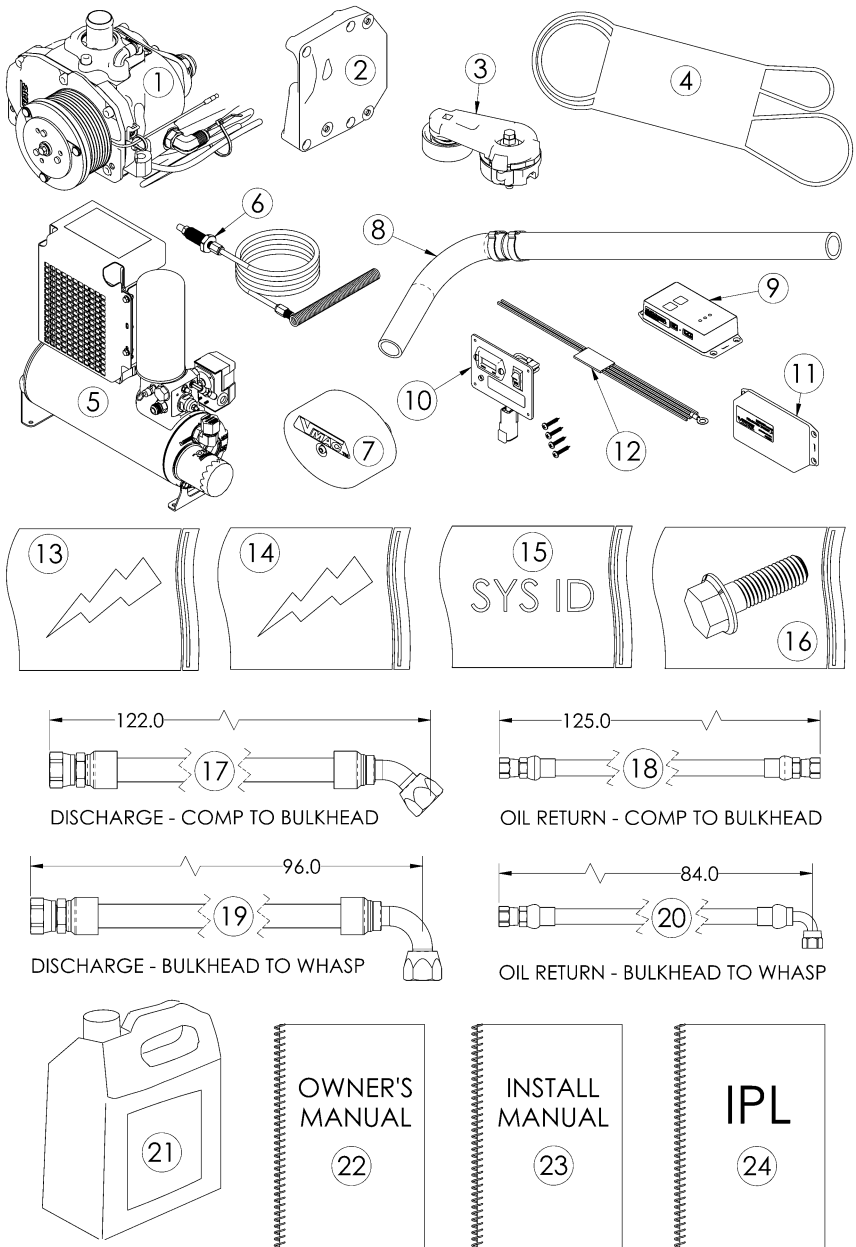
### **VMAC – Vehicle Mounted Air Compressors**

Sales: 877-912-6605

Tech: 888-241-2289

Fax: 877-740-3202

[www.vmacair.com](http://www.vmacair.com)



**Figure 1 - Kit Pack List**

**VMAC – Vehicle Mounted Air Compressors**

Sales: 877-912-6605

Tech: 888-241-2289

Fax: 877-740-3202

www.vmacair.com

## 2. Fastener Pack, 3801480

Item #	Part #	Qty	Description
1	3801476	1	FASTENER PACK, MAIN BRACKET
1.1	1540375	2	BOLT, SHCS, M8 X 1.25 X 45
1.2	1540248	5	BOLT, SHCS, M8 X 1.25 X 35
2	3801477	1	FASTENER PACK, AIR FILTER
2.1	1201208	1	BRACKET, AIR FILTER
2.2	1520642	2	BOLT, HHCS, M6 X 1.0 X 16MM FL
2.3	1560537	2	NUT, NYLOCK, M6 X 1.0, FL PL
2.4	2200222	2	CLAMP, SOFT HOSE, 1.00-1.50
3	3801478	1	FASTENER PACK, PTFE TUBE
3.1	1700570	140.0	TUBE, TEFLON, PTFE, 1/4"OD
3.2	1700581	138.0	LOOM, SPLIT PLASTIC, 1/4, HIGH TEMP
3.3	1700570	108.0	TUBE, TEFLON, PTFE, 1/4"OD
3.4	1700581	106.0	LOOM, SPLIT PLASTIC, 1/4, HIGH TEMP
4	3801479	1	FASTENER PACK, HOSE ROUTING
4.1	2200261	3	CLAMP, STRAP, 1-1/8"
4.2	1560537	3	NUT, NYLOCK, M6 X 1.0, FL PL
4.3	2200018	20	TIE, NYLON MD, 11
5	3801095	1	FASTENER PACK, BULKHEAD FTGS
5.1	4900209	1	FTG, STR, #6MJIC-#6MJIC, BLKHD
5.2	4900170	1	FTG, STR, #12MJIC-#12MJIC, BLKHD
5.3	5000178	1	CONNECTOR, BRASS BULKHEAD, 1/8
5.4	5000158	2	ELBOW, BRASS 45 DEG NPT-POLY 1/8-1/4
6	3801462	1	FASTENER PACK, CLUTCH INTERLOCK
6.1	4800867	1	ASSY, SWITCH, PRESSURE
6.2	1700570	24.0	TUBE, TEFLON, PTFE, 1/4"OD
6.3	1700581	20.0	LOOM, SPLIT PLASTIC, 1/4, HIGH TEMP
6.4	5000218	1	FITTING, UNION TEE, 1/4" POLY
6.5	2200178	1	CLAMP, 5/8, CUSHION
6.6	1520590	1	BOLT, HHCS, M6 X 1.0 X 14 FL PL
6.7	1560537	1	NUT, NYLOCK, M6 X 1.0, FL PL
6.8	1201201	1	BRACKET, FOOT MOUNT, VR40

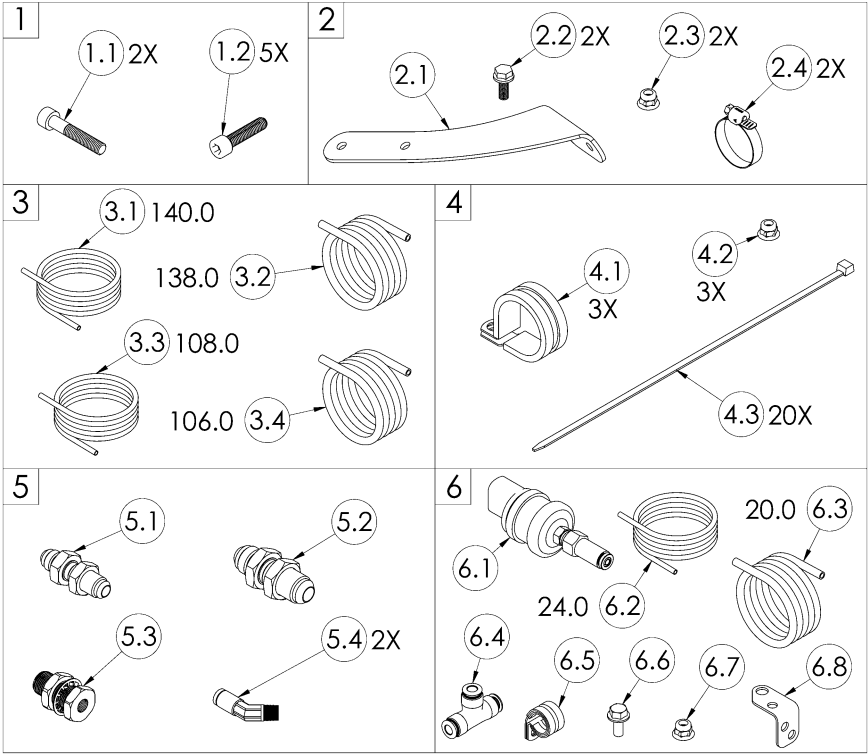
### **VMAC – Vehicle Mounted Air Compressors**

Sales: 877-912-6605

Tech: 888-241-2289

Fax: 877-740-3202

[www.vmacair.com](http://www.vmacair.com)



**Figure 2 - Fastener Pack**

**VMAC – Vehicle Mounted Air Compressors**

Sales: 877-912-6605

Tech: 888-241-2289

Fax: 877-740-3202

www.vmacair.com

### 3. Horizontal Discharge Compressor, P130030

Assembly sub-components listed below

Item #	Part #	Qty	Description
1	A700310	1	REPLACEMENT CLUTCH, 85MM, VR40
2	9230071	1	SPACER, INPUT SHAFT, VR40
3	3550682	1	PROBE, ASSY, THERMISTOR, SHORT
4	4900226	1	FTG, STR, #12MJIC-#8MORB, VITON
5	5000020	1	ELBOW, BRASS NPT-POLY, 1/8-1/4
6	4900176	1	FTG, 90, #6MORB-#6MJIC, VITON
7	1500623	1	SCREW,PT HD,PL F-THRD 6-32 X 1/4"
8	2200164	1	TIE, NYLON, BLACK, 8"
9	2200250	1	TIE MOUNT, HEAT STABILIZED NYLON
10	A700303	1	REPAIR PARTS KIT, VR40, TOP INTAKE

**VMAC – Vehicle Mounted Air Compressors**

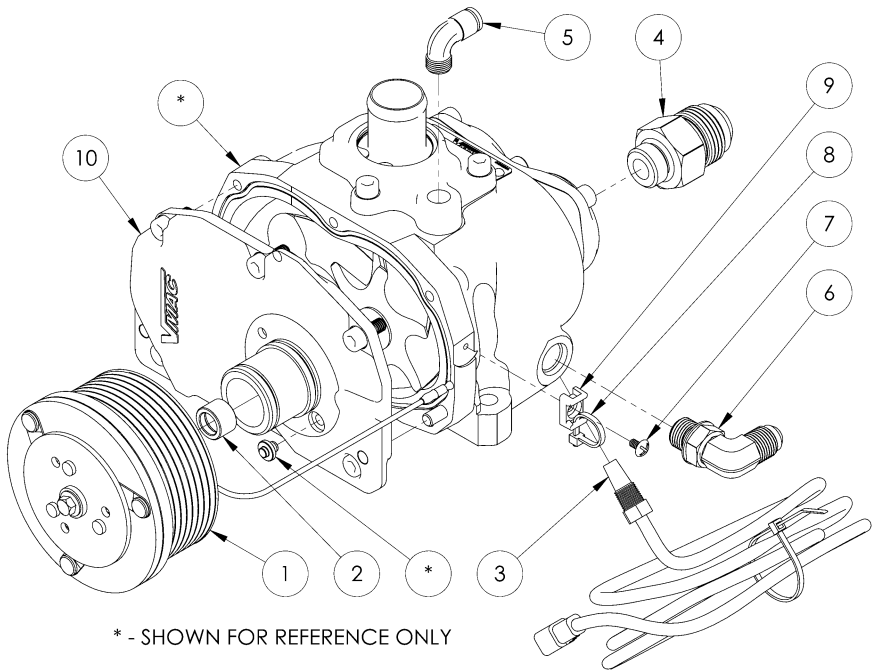
Sales: 877-912-6605

Tech: 888-241-2289

Fax: 877-740-3202

[www.vmacair.com](http://www.vmacair.com)





**Figure 3 - Horizontal Discharge Compressor Assembly**

**VMAC – Vehicle Mounted Air Compressors**

Sales: 877-912-6605

Tech: 888-241-2289

Fax: 877-740-3202

www.vmacair.com

#### 4. WHASP Tank Assembly, 9230074

Assembly sub-components listed below

Item #	Part #	Qty	Description
1	9230072	1	ASSY, SHROUD AND DECAL
2	3600079	1	OIL SEPARATOR, SPIN-ON
3	9200039	1	OIL FILTER, VR 3.250 SHORT
4	4900164	1	CAP, #12JIC, MOD
5	3501294	1	SWITCH, PRESSURE, 50-175PSI
6	4300039	1	PIPE FTG, PLUG SKT HEAD, 3/8
7	4500104	1	MUFFLER, SINTERED EXHAUST, 1/8"
8	3600171	1	VALVE, MODIFIED (3600167)
9	4900106	1	PLUG, #5ORB, EXTERNAL HEX, VITON
10	3600054	1	VALVE, SAFETY 200 PSI
11	A700061	1	PYREX WINDOW KIT
12	4900175	1	FTG, STR, #6MJIC-#8MORB, VITON
13	1200852	1	PLATE, MOUNT, FILTER END
14	1200847	1	PLATE, MOUNT, BOLT ON
15	1520601	4	BOLT, HHCS FL PL, M8 X 1.25 X 12
16	6000719	1	SHROUD, FAN, WHASP TANK
17	3501290	1	FAN, PULLER, 7.5"
18	4900128	1	FTG, STR, #12MORB-#12MJIC, VITON
19	5000140	1	ELBOW, BRASS, FORGED, 90DEG, 1/8 PIPE
20	3600123	1	VALVE, CHECK, 1/8 NPT
21	5000212	1	CONNECTOR, BRASS, FNPT-POLY, 1/8-1/4
22	5830133	1	O-RING, VITON, #12
23	1520590	8	BOLT, HHCS, M6 X 1.0 X 14 FL PL
24	1560516	4	NUT, M6 X 1.0 FL PL
25	4900133	1	FTG, 90, #12MORB-#12MJIC
26	4900046	1	FTG, STR, #8MORB-#8MJIC

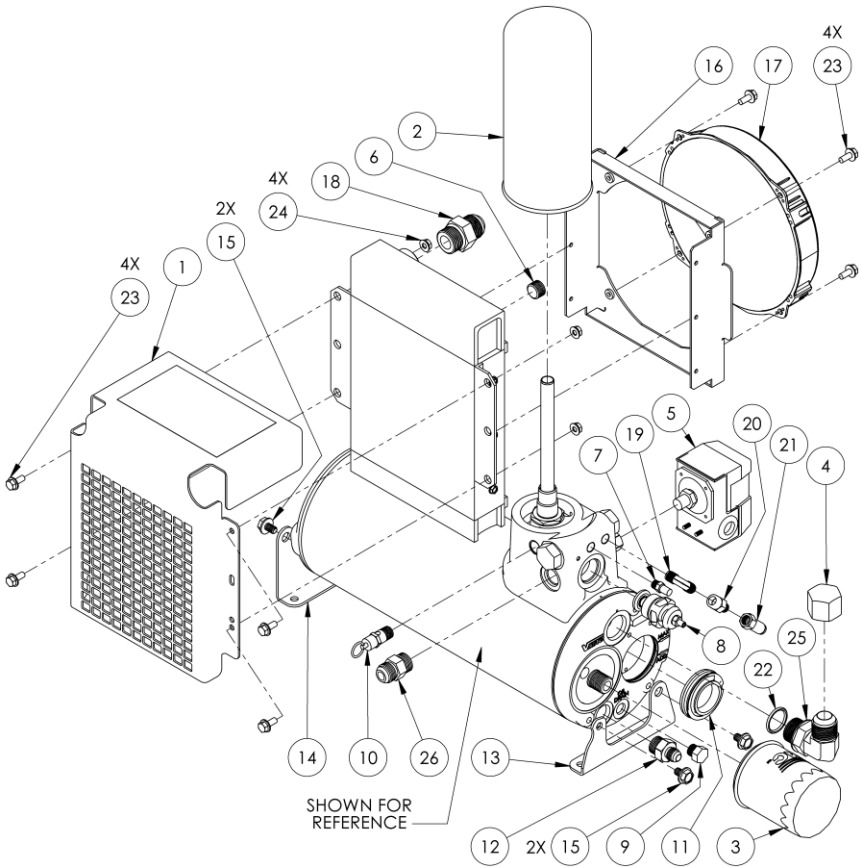
**VMAC – Vehicle Mounted Air Compressors**

Sales: 877-912-6605

Tech: 888-241-2289

Fax: 877-740-3202

[www.vmacair.com](http://www.vmacair.com)



**Figure 4 - WHASP Tank Assembly**

**VMAC – Vehicle Mounted Air Compressors**

Sales: 877-912-6605

Tech: 888-241-2289

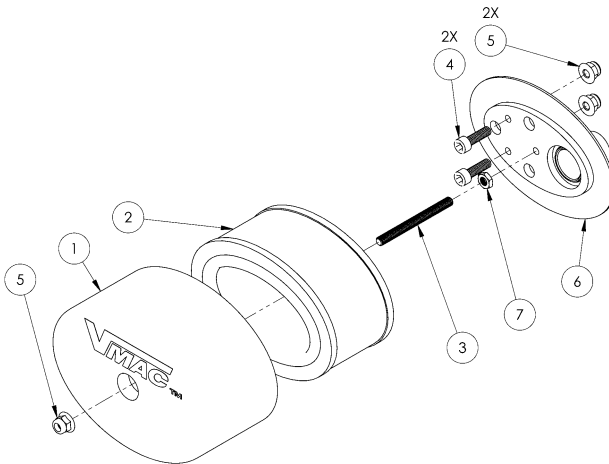
Fax: 877-740-3202

www.vmacair.com

## 5. Air Filter Assembly, 4800674

Assembly sub-components listed below

Item #	Part #	Qty	Description
1	3600066	1	COVER, AIR FILTER, PLASTIC
2	3600037	1	FILTER ELEMENT, PAPER
3	1500584	1	STUD, FULL THREAD, PL, M6 X 1.0 X 65
4	1540555	2	BOLT, SHCS, M6X1.0X20, GR12.9 PLT
5	1560537	3	NUT, NYLOCK, M6 X 1.0, FL PL
6	9230016	1	WELDMENT, REMOTE AIR FILTER
7	1560523	1	NUT, JAM, PL, M6X 1.0



**Figure 5 - Air Filter Assembly**

**VMAC – Vehicle Mounted Air Compressors**

Sales: 877-912-6605

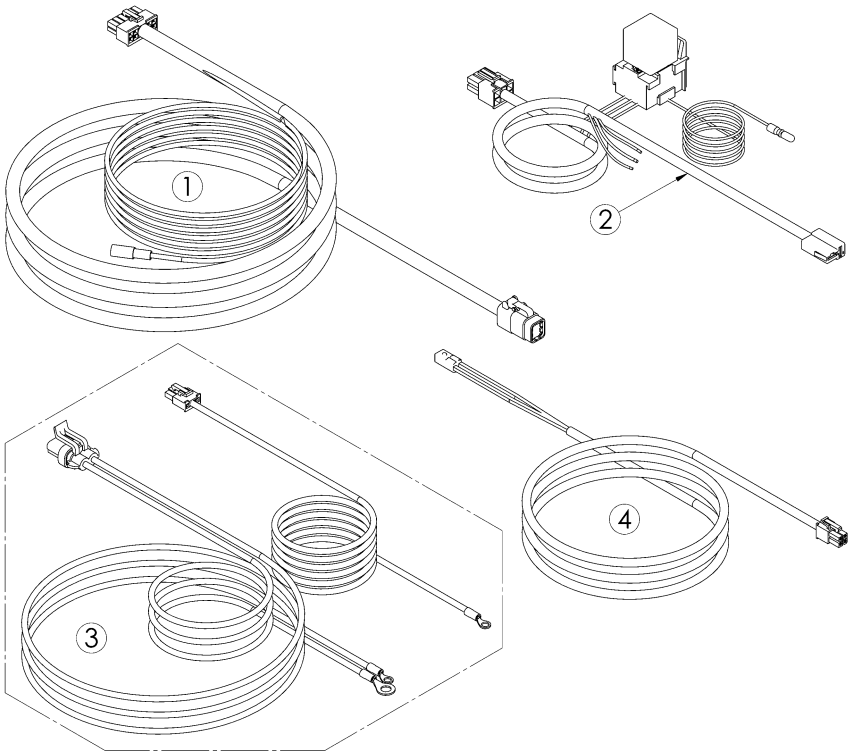
Tech: 888-241-2289

Fax: 877-740-3202

[www.vmacair.com](http://www.vmacair.com)

## 6. Electrical Pack, Control, 3810112

Item #	Part #	Qty	Description
1	3550985	1	HARNESS, VR40 CONTROL
2	3551088	1	HARNESS, VR40 RELAY POWER
3	3551089	1	HARNESS, VR40 PRESSURE
4	3550990	1	HARNESS, VR40 TEMPERATURE



**Figure 6 - Electrical Pack**

**VMAC – Vehicle Mounted Air Compressors**

Sales: 877-912-6605

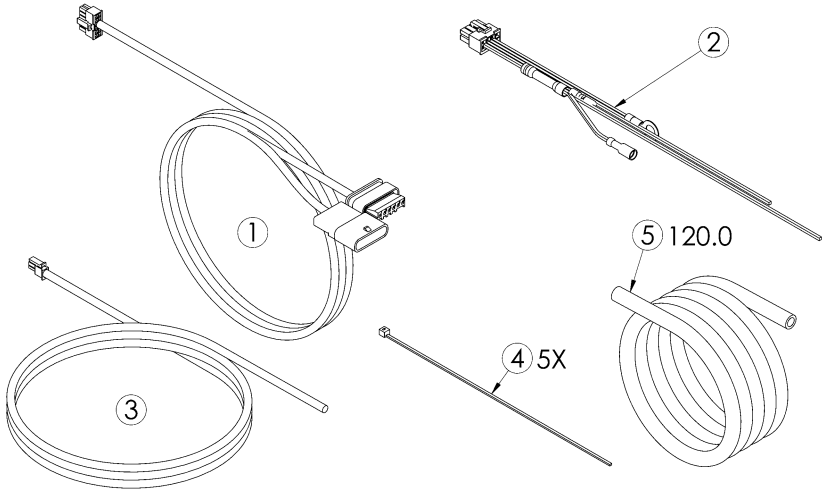
Tech: 888-241-2289

Fax: 877-740-3202

[www.vmacair.com](http://www.vmacair.com)

## 7. Electrical Pack, MCON Pedal, 3810114

Item #	Part #	Qty	Description
1	3530811	1	CABLE SET, DTC, FOOT PEDAL, MCON
2	3530839	1	CABLE SET, DTC, MAIN WITH PBRAKE
3	3530805	1	CABLE SET, DTC, OBD2
4	2200164	5	TIE, NYLON, BLACK, 8"
5	1700581	120.0	LOOM, SPLIT PLASTIC, 1/4, HIGH TEMP



**Figure 7 - Electrical Pack**

**VMAC – Vehicle Mounted Air Compressors**

Sales: 877-912-6605

Tech: 888-241-2289

Fax: 877-740-3202

[www.vmacair.com](http://www.vmacair.com)

## 8. Accessory Products

Parts listed below are not included with kit - Order through your VMAC dealer

Part #	Description
<b>REGULAR SERVICE KITS</b>	
A700263	200 HOUR SERVICE KIT - VR40 <i>Oil, air and oil filters, next service decal</i>
A700264	400 HOUR SERVICE KIT - VR40 <i>200 hour kit components + coalescing filter, safety valve, blowdown muffler</i>
<b>INSTALLATION HELPER AND REPAIR KITS</b>	
3801095	FASTENER PACK, BULKHEAD FTGS <i>Fittings to route #6 &amp; #12 hoses and 1/4" PTFE tubes through bulkheads or floors</i>
A700224	ACCESSORY PACK, REMOTE MUFFLER <i>Tubing and fittings to relocate WHASP blowdown muffler through bulkheads or floors</i>
A700268	KIT, PTFE TUBE, SCAVENGE <i>Generic parts kit for scavenge tube replacement</i>
A700265	INTERFACE EXTENSION, VR40, 10' <i>Electrical extension harness for user interface panel</i>
<b>INDIVIDUAL FITTINGS</b>	
5000158	ELBOW, BRASS 45 DEG NPT-POLY 1/8-1/4 <i>45° 1/8 MNPT – 1/4" push connect fitting</i>
5000020	ELBOW, BRASS NPT-POLY, 1/8-1/4 <i>90° 1/8 MNPT – 1/4" push connect fitting</i>
5000012	CONNECTOR, BRASS NPT-POLY, 1/8-1/4 <i>Straight 1/8 MNPT – 1/4" push connect fitting</i>
4900117	JIC 90 DEG STEEL, SWIVEL, 3/8 -3/8 <i>90° #6 MJIC - #6 FJIC swivel fitting</i>
4900043	ELBOW, STEEL JIC/JIC SWIVEL, 3/4 <i>90° #12 MJIC - #12 FJIC swivel fitting</i>
<b>AIR HANDLING AND STORAGE</b>	
A700007	HOSE REEL, DRESSED, 1/2 X 50 <i>Auto-retract, 1/2" ID x 50' long hose, 1/2 NPT connections</i>
A800070	AFTERCOOLER, ELIMINATOR70, 70CFM <i>Cools and dries discharge air, 12V fan, 3/4 NPT connections</i>
A700151	FILTER-REGULATOR-LUBRICATOR <i>Conditions discharge air, 3/4 NPT connections, tool oil not included</i>
A300045	TANK, AIR RECEIVER 6 GAL C/W FTGS <i>6 gal wing tank, includes fittings, safety + drain valves, 3/4 NPT ports</i>
A300047	TANK, AIR RECEIVER 10 GAL C/W FTG <i>10 gal surface mount tank, includes fittings, gauge, safety + drain valves, 3/4 NPT ports</i>
A300010	TANK, WING 35 GAL C/W FTG <i>35 gal wing tank, includes fittings, gauge, safety + drain valves, 1 1/2 NPT ports</i>

### VMAC – Vehicle Mounted Air Compressors

Sales: 877-912-6605

Tech: 888-241-2289

Fax: 877-740-3202

www.vmacair.com

**This page intentionally left blank**



**This page intentionally left blank**

**This page intentionally left blank**



Manufactured by



888-241-2289



tech@vmacair.com



877-740-3202



warranty@vmacair.com



www.vmacair.com



kb.vmacair.com



1333 Kipp Road, Nanaimo, B.C., V9X 1R3 Canada