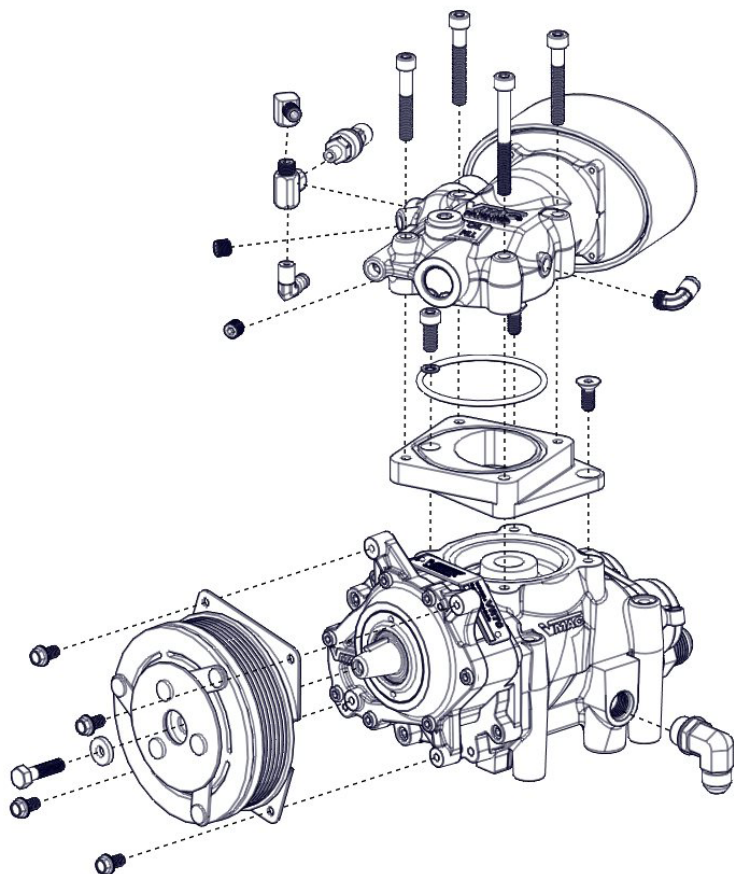


UNDERHOOD™ **40** AIR COMPRESSORS



Illustrated Parts List for VMAC System

V400019

**2020+ Ford Transit
3.5 L Gas (Duratec® and Ecoboost®)**

www.vmacair.com

Illustrated Parts List for VMAC System V40019

**2020+ Ford Transit
3.5L Gas – Duratec & Ecoboost**

1.	Kit Pack List.....	2
2.	Fastener Pack, 3801352	4
3.	Horizontal Discharge Compressor, P130019.....	7
4.	WHASP Tank Assembly, 9230074	8
5.	Air Filter Assembly, 4800674	10
6.	Electrical Pack, 3810109.....	11
7.	Electrical Pack, 3810112.....	12
8.	Accessory Products	13

NOTE: drawings are not to scale.

Document 1930407

Changes and Revisions

Revision	Revision Details	Revised by	Checked by				Implemented
			Eng.		Tech.	Qual.	
			Mech.	Elec.			
A	ECN 19-218: ENGINEERING RELEASE	KRM	MRH	ASE	BDJ	LH	20DEC2019
B	ECN 20-019: CONFIRMATION UPDATE	KRM	MRH	N/A	BDJ	LH	21JAN2020
C	ECN 20-043: COMP MOUNT FASTENERS	MSP	KRM	N/A	MSP	N/A	13FEB2020
D	ECN 20-101: HOSE LENGTH INCREASED	CAM	KRM	N/A	BDJ	LH	27APR2020
E	ECN 20-028: ADDED TRANSIT ORG WIRE	ASE	N/A	AJH	BDJ	LH	12MAY2020
F	ECN 20-229: HOSE LENGTH INCREASED	BJG	CAM	N/A	DSB	LH	17NOV2020
G	ECN 20-167: MAIN BRACKET UPDATE	KRM	CAM	N/A	DSB	LH	26NOV2020
H	ECN 22-001: PARK AND PRESSURE INTERLOCK FOR CLUTCH	JAZ	N/A	AJH	BDJ	LH	14FEB2022
J	ECN 22-060: FITTING UPDATE	TIK	GJM	N/A	RB	LEH	11AUG2022

VMAC – Vehicle Mounted Air Compressors

Sales: 877-912-6605

Tech: 888-241-2289

Fax: 877-740-3202

www.vmacair.com

1. Kit Pack List

Item #	Part #	Qty	Description
1	P130019	1	COMP, VR40, TOP INLET, HORZ DISCH
2	1100251	1	BRACKET, MAIN, TRANSIT
3	3300042	1	TENSIONER
4	9230074	1	ASSY, MAIN, WHASP TANK
5	1620369	1	BELT, K040560
6	4800674	1	ASSY, REMOTE AIR FILTER
7	4800841	1	ASSY, INTAKE HOSE
8	4800709	1	ASSEMBLY, REMOTE MUFFLER
9	3560265	1	VR DTC, U40 TRANSIT 3.5G 2020+
10	3550986	1	INTERFACE PANEL, VR40
11	3550987	1	CONTROL MODULE, VR40
12	3810109	1	ELEC PACK, U40, MX64 PEDAL
13	3810112	1	ELEC PACK, U40, CONTROL
14	4800831	1	SYS ID & OP INSTR, TRANSIT
15	3801352	1	FASTENER PACK, VR40, TRANSIT
16	A700094	1	OIL, VR, 4L, HIGH PERFORMANCE
17	1810120	1	HOSE, CRIMPED, 3/8" X 120"
18	1772120	1	HOSE, CRIMPED, 3/4" X 120"
19	1812084	1	HOSE, CRIMPED, 3/8" X 84"
20	1772096	1	HOSE, CRIMPED, 3/4" X 96"
21	1930335	1	MANUAL, OWNERS, VR40
22	1930406	1	MANUAL, INSTALLATION, V400019
23	1930407	1	ILLUSTRATED PARTS LIST, V400019
24	3551063	1	HARNES, TRANSIT ORANGE WIRE

VMAC – Vehicle Mounted Air Compressors

Sales: 877-912-6605

Tech: 888-241-2289

Fax: 877-740-3202

www.vmacair.com

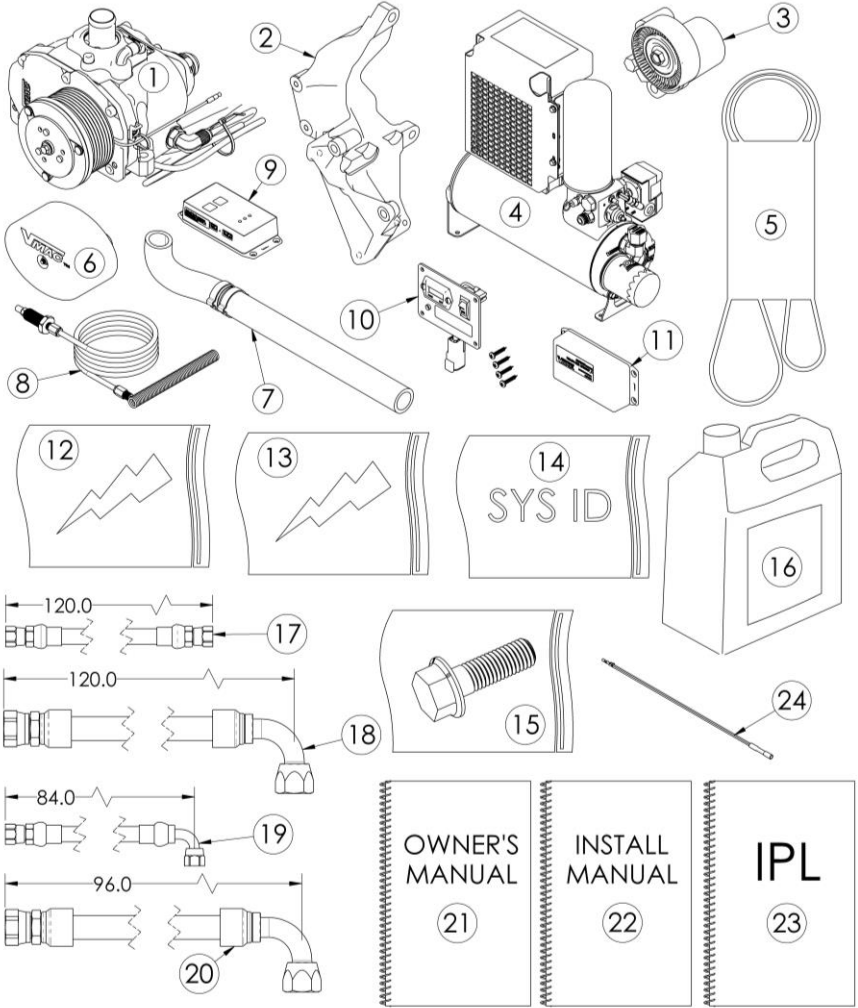


Figure 1 - Kit Pack List

VMAC – Vehicle Mounted Air Compressors

Sales: 877-912-6605

Tech: 888-241-2289

Fax: 877-740-3202

www.vmacair.com

2. Fastener Pack, 3801352

Item #	Part #	Qty	Description
1	3801449	1	FASTENER PACK, MAIN BRACKET
1.1	1520615	3	BOLT,HHCS FL,PL,GR10.9,M8 X1.25 X50
1.2	1520618	1	BOLT, HHCS FL, PL, M8 X 1.25 X 70
1.3	1520637	1	BOLT,HHCS, M8-1.25 X 35, FL PL
1.4	1520621	1	BOLT, HHCS, FLHD, M10 X 1.5 X 45
1.5	1540566	3	BOLT, SHCS, M8 X 1.25 X 90, PL
2	3801370	1	FASTENER PACK, AIR FILTER
2.1	1201115	1	BRACKET, AIR FILTER
2.2	2200047	2	CLAMP, HOSE HS16
2.3	1201119	1	BRACKET, AIR FILTER
2.4	1560529	2	NUT, PL, M5 X 0.8
3	3801095	1	FASTENER PACK, BULKHEAD FTGS
3.1	4900209	1	FTG, STR, #6MJIC-#6MJIC, BLKHD
3.2	4900170	1	FTG, STR, #12MJIC-#12MJIC, BLKHD
3.3	5000178	1	CONNECTOR, BRASS BULKHEAD, 1/8
3.4	5000158	2	ELBOW,BRASS 45 DEG NPT-POLY 1/8-1/4
4	3801241	1	FASTENER PACK, HOSE ROUTING
4.1	2200147	5	CLAMP, C R.I., 2"
4.2	1540526	2	BOLT, SHCS, M8 X 1.25 X 20, GR12.9
4.3	1560407	2	NUT, NYLOCK, M8
4.4	1500120	2	SCREW, TAP + DRILL, 14-3/4
4.5	1540549	1	BOLT,SHCS,M6 X 1 X 18,PLATED,G12.9
4.6	1560516	1	NUT, M6 X 1.0 FL PL
4.7	1570038	1	WASHER, FLAT SAE, 1/4
4.8	1500139	1	SCREW, SHEET METAL SLOTTED,5/16X3/4
5	3801371	1	FASTENER PACK, TEFLON HOSE
5.1	1700570	125.0	TUBE, TEFLON, PTFE,1/4"OD
5.2	1700581	123.0	LOOM, SPLIT PLASTIC, 1/4, HIGH TEMP
5.3	1700570	108.0	TUBE, TEFLON, PTFE,1/4"OD
5.4	1700581	106.0	LOOM, SPLIT PLASTIC, 1/4, HIGH TEMP
5.5	2200039	20	TIE, NYLON MD, 7"

VMAC – Vehicle Mounted Air Compressors

Sales: 877-912-6605

Tech: 888-241-2289

Fax: 877-740-3202

www.vmacair.com

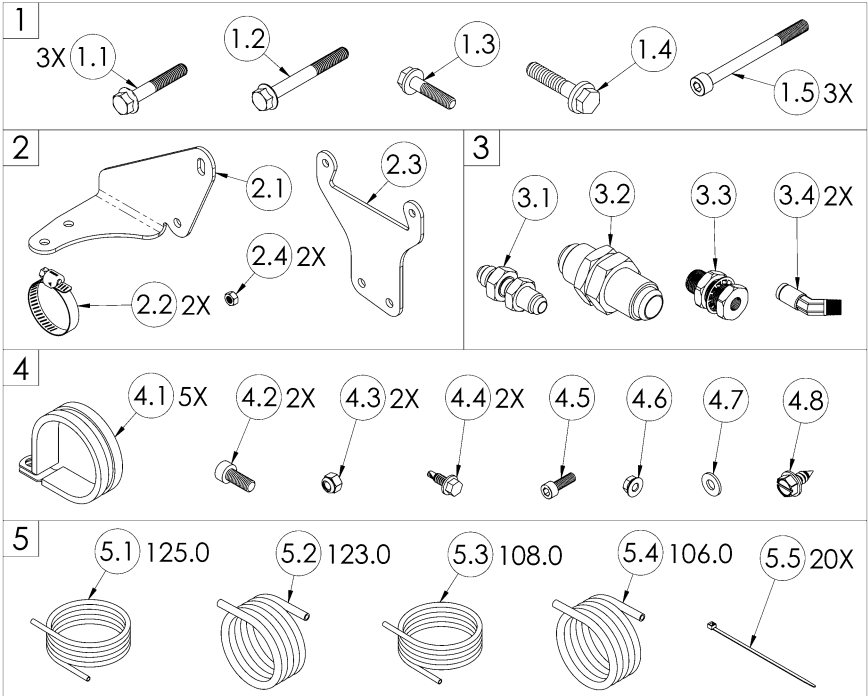


Figure 2 - Fastener Pack

VMAC – Vehicle Mounted Air Compressors

Sales: 877-912-6605

Tech: 888-241-2289

Fax: 877-740-3202

www.vmacair.com

Fastener Pack, 3801352 (Cont'd)

Item #	Part #	Qty	Description
6	3801467	1	FASTENER PACK, CLUTCH INTERLOCK
6.1	4800867	1	ASSY, SWITCH, PRESSURE
6.2	1700570	24.0	TUBE, TEFLON, PTFE, 1/4" OD
6.3	1700581	20.0	LOOM, SPLIT PLASTIC, 1/4", HIGH TEMP
6.4	5000218	1	FITTING, UNION TEE, 1/4" POLY
6.5	2200178	1	CLAMP, 5/8, CUSHION
6.6	1520590	1	BOLT, HHCS, M6 X 1.0 X 14 FL PL
6.7	1560537	1	NUT, NYLOCK, M6 X 1.0, FL PL
6.8	1201201	1	BRACKET, FOOT MOUNT, VR40

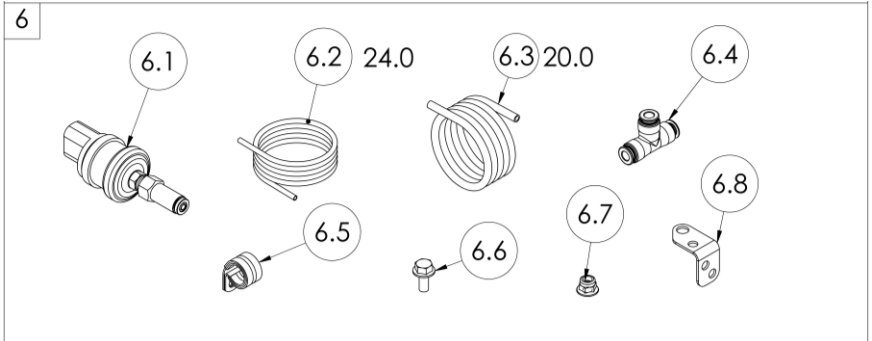


Figure 3 - Fastener Pack (Cont'd)

VMAC – Vehicle Mounted Air Compressors

Sales: 877-912-6605

Tech: 888-241-2289

Fax: 877-740-3202

www.vmacair.com

3. Horizontal Discharge Compressor, P130019

Assembly sub-components listed below

Item #	Part #	Qty	Description
1	P200048	1	CLUTCH, COMPLETE, 8 GROOVE, 3.35
2	9230071	1	SPACER, INPUT SHAFT, VR40
3	3200520	1	PIN, FIELD COIL
4	3550682	1	PROBE, ASSY, THERMISTOR, SHORT
5	4900226	1	FTG, STR, #12MJIC-#8MORB, VITON
6	5000020	1	ELBOW, BRASS NPT-POLY, 1/8-1/4
7	4900176	1	FTG, 90, #6MORB-#6MJIC, VITON
8	1500623	1	SCREW, PT HD, PL F-THRD 6-32 X 1/4"
9	2200164	1	TIE, NYLON, BLACK, 8"
10	2200250	1	TIE MOUNT, HEAT STABILIZED NYLON

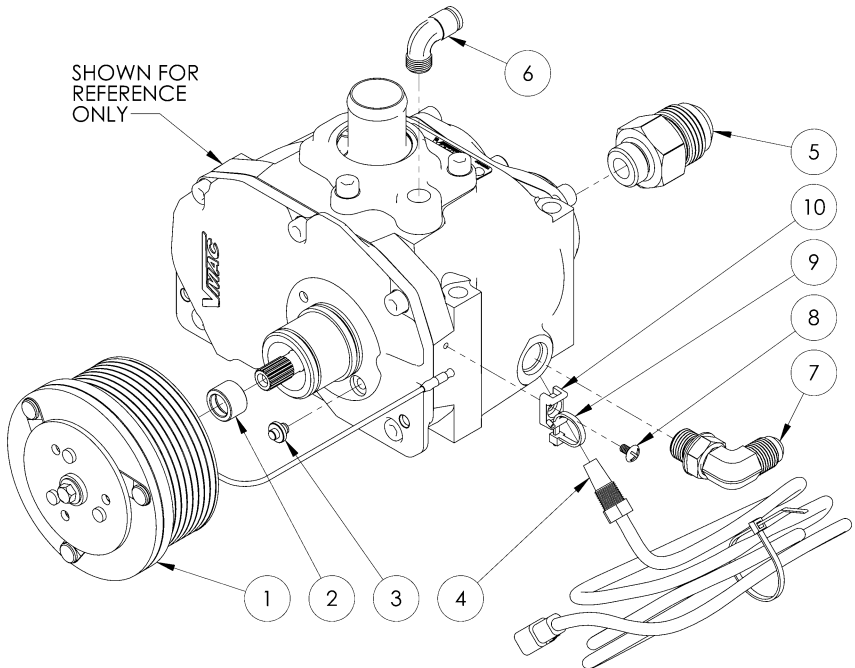


Figure 4 - Horizontal Discharge Compressor Assembly

VMAC – Vehicle Mounted Air Compressors

Sales: 877-912-6605

Tech: 888-241-2289

Fax: 877-740-3202

www.vmacair.com

4. WHASP Tank Assembly, 9230074

Assembly sub-components listed below

Item #	Part #	Qty	Description
1	9230072	1	ASSY, SHROUD AND DECAL
2	3600079	1	OIL SEPARATOR, SPIN-ON
3	9200039	1	OIL FILTER, VR 3.250 SHORT
4	4900164	1	CAP, #12JIC, MOD
5	3501294	1	SWITCH, PRESSURE, 50-175PSI
6	4300039	1	PIPE FTG, PLUG SKT HEAD, 3/8
7	4500104	1	MUFFLER, SINTERED EXHAUST, 1/8"
8	3600171	1	VALVE, MODIFIED (3600167)
9	4900106	1	PLUG, #5ORB, EXTERNAL HEX, VITON
10	3600054	1	VALVE, SAFETY 200 PSI
11	A700061	1	PYREX WINDOW KIT
12	4900175	1	FTG, STR, #6MJIC-#8MORB, VITON
13	1200852	1	PLATE, MOUNT, FILTER END
14	1200847	1	PLATE, MOUNT, BOLT ON
15	1520601	4	BOLT, HHCS FL PL, M8 X 1.25 X 12
16	6000719	1	SHROUD, FAN, WHASP TANK
17	3501290	1	FAN, PULLER, 7.5"
18	4900128	1	FTG, STR, #12MORB-#12MJIC, VITON
19	5000140	1	ELBOW, BRASS, FORGED, 90DEG, 1/8 PIPE
20	3600123	1	VALVE, CHECK, 1/8 NPT
21	5000212	1	CONNECTOR, BRASS, FNPT-POLY, 1/8-1/4
22	1520590	8	BOLT, HHCS, M6 X 1.0 X 14 FL PL
23	1560516	4	NUT, M6 X 1.0 FL PL
24	4900260	1	FTG, 90, #12MORB-#12MJIC, VITON
25	4900046	1	FTG, STR, #8MORB-#8MJIC

VMAC – Vehicle Mounted Air Compressors

Sales: 877-912-6605

Tech: 888-241-2289

Fax: 877-740-3202

www.vmacair.com

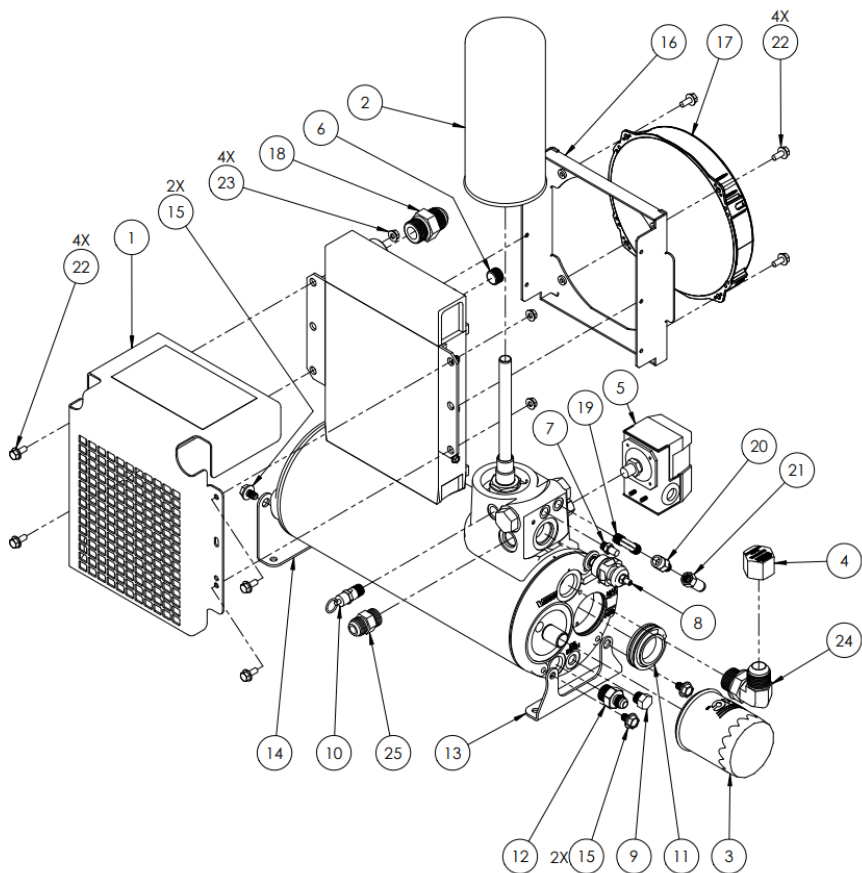


Figure 5 - WHASP Tank Assembly

VMAC – Vehicle Mounted Air Compressors

Sales: 877-912-6605

Tech: 888-241-2289

Fax: 877-740-3202

www.vmacair.com

5. Air Filter Assembly, 4800674

Assembly sub-components listed below

Item #	Part #	Qty	Description
1	3600066	1	COVER, AIR FILTER, PLASTIC
2	3600037	1	FILTER ELEMENT, PAPER
3	1500584	1	STUD, FULL THREAD, PL, M6 X 1.0 X 65
4	1540555	2	BOLT, SHCS, M6X1.0X20, GR12.9 PLT
5	1560438	3	NUT, NYLOCK, M6
6	9230016	1	WELDMENT, REMOTE AIR FILTER
7	1560523	1	NUT, JAM, PL, M6X 1.0
8	1570038	1	WASHER, FLAT SAE, 1/4

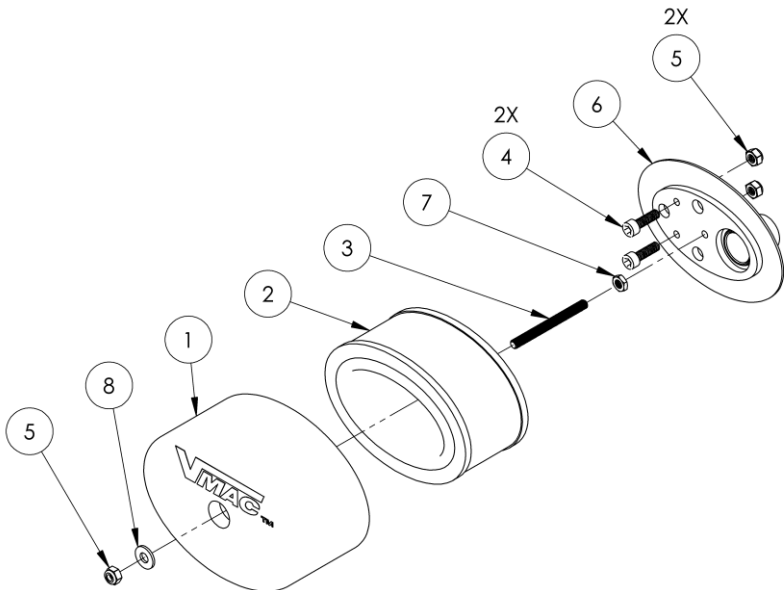


Figure 6 - Air Filter Assembly

VMAC – Vehicle Mounted Air Compressors

Sales: 877-912-6605

Tech: 888-241-2289

Fax: 877-740-3202

www.vmacair.com

6. Electrical Pack, 3810109

Item #	Part #	Qty	Description
1	3530803	1	CABLE SET, DTC, FOOT PEDAL, MX64
2	3530839	1	CABLE SET, DTC, MAIN WITH PBRAKE
3	3530805	1	CABLE SET, DTC, OBD2
4	2200164	5	TIE, NYLON, BLACK, 8"
5	1700581	120.0	LOOM, SPLIT PLASTIC, ¼", HIGH TEMP

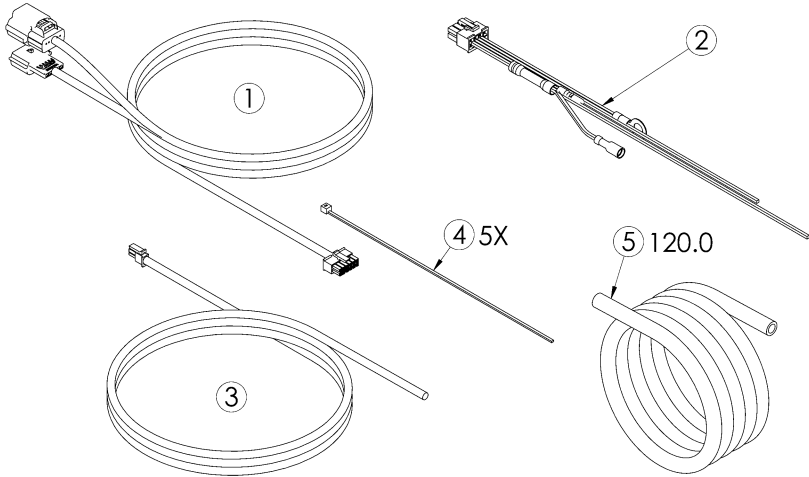


Figure 7 - Electrical Pack

VMAC – Vehicle Mounted Air Compressors

Sales: 877-912-6605

Tech: 888-241-2289

Fax: 877-740-3202

www.vmacair.com

7. Electrical Pack, 3810112

Item #	Part #	Qty	Description
1	3550985	1	HARNESS, VR40 CONTROL
2	3551088	1	HARNESS, VR40 RELAY POWER
3	3551116	1	HARNESS, VR40 PRESSURE
4	3550990	1	HARNESS, VR40 TEMPERATURE

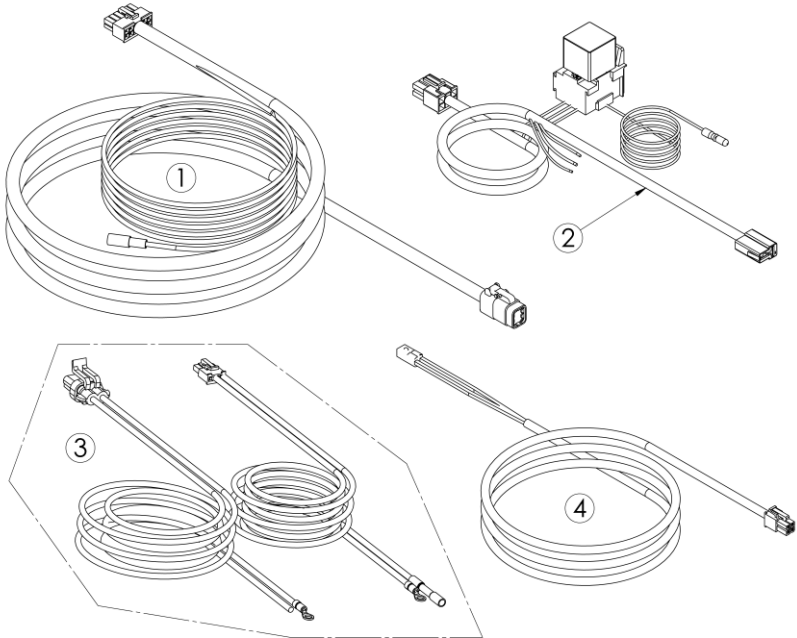


Figure 8 - Electrical Pack

VMAC – Vehicle Mounted Air Compressors

Sales: 877-912-6605

Tech: 888-241-2289

Fax: 877-740-3202

www.vmacair.com

8. Accessory Products

Parts listed below are not included with kit - Order through your VMAC dealer

Part #	Description
REGULAR SERVICE KITS	
A700263	200 HOUR SERVICE KIT - VR40 <i>Oil, air and oil filters, next service decal</i>
A700264	400 HOUR SERVICE KIT - VR40 <i>200 hour kit components + coalescing filter, safety valve, blowdown muffler</i>
INSTALLATION HELPER AND REPAIR KITS	
3801095	FASTENER PACK, BULKHEAD FTGS <i>Fittings to route #6 & #12 hoses and 1/4" PTFE tubes through bulkheads or floors</i>
A700224	ACCESSORY PACK, REMOTE MUFFLER <i>Tubing and fittings to relocate WHASP blowdown muffler through bulkheads or floors</i>
A700268	KIT, PTFE TUBE, SCAVENGE <i>Generic parts kit for scavenge tube replacement</i>
A700265	INTERFACE EXTENSION, VR40, 10' <i>Electrical extension harness for user interface panel</i>
INDIVIDUAL FITTINGS	
5000158	ELBOW, BRASS 45 DEG NPT-POLY 1/8-1/4 <i>45° 1/8 MNPT - 1/4" push connect fitting</i>
5000020	ELBOW, BRASS NPT-POLY, 1/8-1/4 <i>90° 1/8 MNPT - 1/4" push connect fitting</i>
5000012	CONNECTOR, BRASS NPT-POLY, 1/8-1/4 <i>Straight 1/8 MNPT - 1/4" push connect fitting</i>
4900117	JIC 90 DEG STEEL, SWIVEL, 3/8 -3/8 <i>90° #6 MJIC - #6 FJIC swivel fitting</i>
4900043	ELBOW, STEEL JIC/JIC SWIVEL, 3/4 <i>90° #12 MJIC - #12 FJIC swivel fitting</i>
AIR HANDLING AND STORAGE	
A700007	HOSE REEL, DRESSED, 1/2 X 50 <i>Auto-retract, 1/2" ID x 50' long hose, 1/2 NPT connections</i>
A800070	AFTERCOOLER, ELIMINATOR70, 70CFM <i>Cools and dries discharge air, 12V fan, 3/4 NPT connections</i>
A700151	FILTER-REGULATOR-LUBRICATOR <i>Conditions discharge air, 3/4 NPT connections, tool oil not included</i>
A300045	TANK, AIR RECEIVER 6 GAL C/W FTGS <i>6 gal wing tank, includes fittings, safety + drain valves, 3/4 NPT ports</i>
A300047	TANK, AIR RECEIVER 10 GAL C/W FTG <i>10 gal surface mount tank, includes fittings, gauge, safety + drain valves, 3/4 NPT ports</i>
A300010	TANK, WING 35 GAL C/W FTG <i>35 gal wing tank, includes fittings, gauge, safety + drain valves, 1 1/2 NPT ports</i>

VMAC – Vehicle Mounted Air Compressors

Sales: 877-912-6605

Tech: 888-241-2289

Fax: 877-740-3202

www.vmacair.com

This page intentionally left blank

This page intentionally left blank

This page intentionally left blank

Manufactured by



888-241-2289



877-740-3202



www.vmacair.com



tech@vmacair.com



warranty@vmacair.com



www.kb.vmacair.com



1333 Kipp Road, Nanaimo, B.C., V9X 1R3 Canada