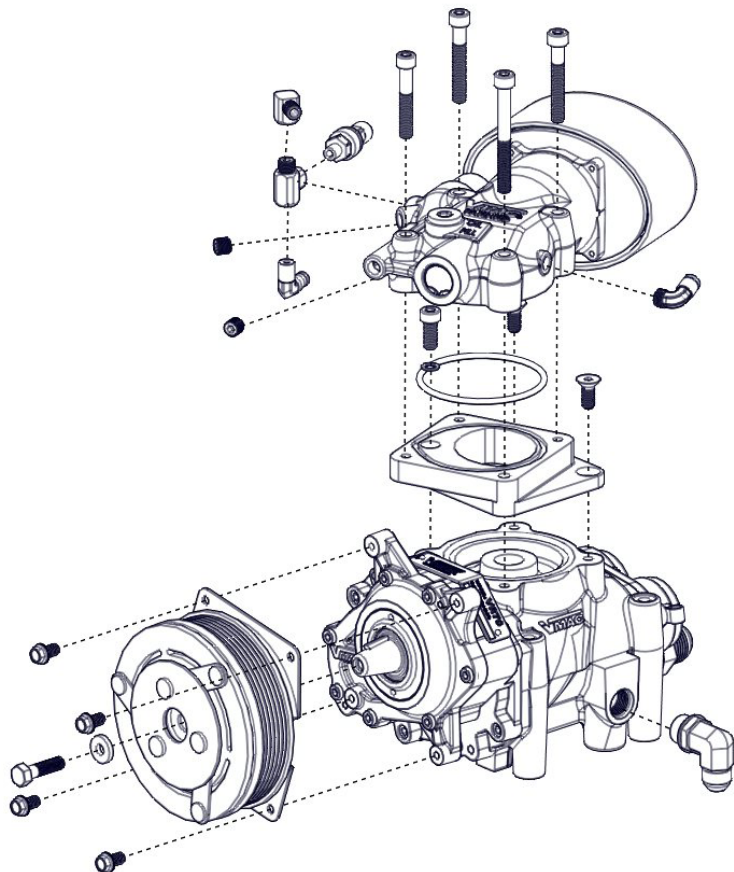


# ***UNDERHOOD***™ **40** AIR COMPRESSORS



## **Illustrated Parts List for VMAC System**

**V400016**

**2019+ RAM 2500 – 3500 Pickup, Chassis Cab**

**2019+ RAM 4500 – 5500 Chassis Cab**

**6.7 L Cummins Diesel**

**[www.vmacair.com](http://www.vmacair.com)**



# Illustrated Parts List for VMAC System V40016

**2019+ Ram 2500-5500  
6.7L Cummins Diesel**

1.	Kit Pack List.....	1
2.	Fastener Pack, 3801325 .....	4
3.	Horizontal Discharge Compressor, P130019.....	6
4.	Main Bracket Assembly, 4800820.....	7
5.	WHASP Tank Assembly, 9230074 .....	8
6.	Air Filter Assembly, 4800674 .....	10
7.	Electrical Pack, 3810101.....	11
8.	Electrical Pack, 3810105.....	12
9.	Accessory Products .....	13

NOTE: drawings are not to scale.

Document 1930385

## Changes and Revisions

Revision	Revision Details	Revised by	Checked by				Implemented
			Eng.		Tech.	Qual.	
			Mech.	Elec.			
A	ECN-19-091:ENGINEERING RELEASE	KRM	KRM	AJH	BDJ	AWM	26 JUN 2019
B	ECN-19-103: DTC INTEGRATION	ASE	-	AJH	BDJ	LH	31 OCT 2019
C	ECN 22-060: FITTING UPDATE	TIK	GJM	N/A	RB	LEH	11AUG2022

## 1. Kit Pack List

### **VMAC – Vehicle Mounted Air Compressors**

Sales: 877-912-6605

Tech: 888-241-2289

Fax: 877-740-3202

www.vmacair.com

Item #	Part #	Qty	Description
1	P130019	1	COMP, VR40, TOP INLET, HORZ DISCH
2	4800820	1	ASSY, MAIN BRACKET
3	9230074	1	ASSY, MAIN, WHASP TANK
4	1620363	1	BELT, K081348
5	4800674	1	ASSY, REMOTE AIR FILTER
6	3560261	1	VR DTC, V400016
7	3550986	1	INTERFACE PANEL, VR40
8	3550987	1	CONTROL MODULE, VR40
9	3810101	1	ELEC PACK, U40, MX64 PEDAL
10	3810105	1	ELEC PACK, U40, CONTROL
11	4800791	1	SYS ID & OP INSTR, V400006
12	3801325	1	FAST PACK, V400016
13	A700094	1	OIL, VR, 4L, HIGH PERFORMANCE
14	1771170	1	HOSE, CRIMPED, 3/4" X 170"
15	1812170	1	HOSE, CRIMPED, 3/8" X 170"
16	1930335	1	MANUAL, OWNERS, VR40
17	1930384	1	MANUAL, INSTALLATION, V400016
18	1930385	1	ILLUSTRATED PARTS LIST, V400016

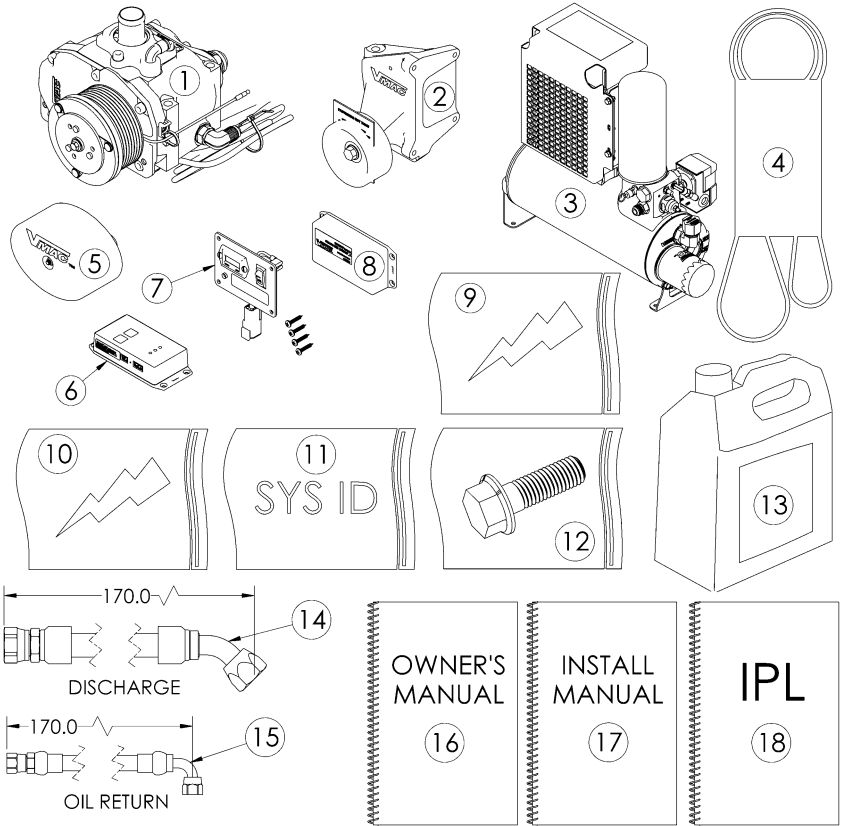
**VMAC – Vehicle Mounted Air Compressors**

Sales: 877-912-6605

Tech: 888-241-2289

Fax: 877-740-3202

[www.vmacair.com](http://www.vmacair.com)



**Figure 1 - Kit Pack List**

**VMAC – Vehicle Mounted Air Compressors**

Sales: 877-912-6605

Tech: 888-241-2289

Fax: 877-740-3202

www.vmacair.com

## 2. Fastener Pack, 3801325

Item #	Part #	Qty	Description
1	3801324	1	FAST PACK, COMP MNT, VR40
1.1	1540566	4	BOLT, SHCS, M8 X 1.25 X 90, PL
2	3801323	1	FAST PACK, AIR FILTER, VR40
2.1	1201075	1	BRACKET, AIR FILTER, VR40
2.2	1710867	1	HOSE, MODIFIED (1700629)
2.3	2200047	2	CLAMP, HOSE HS16
3	3801103	1	FAST PACK, TEFLON HOSE
3.1	1700570	180.0	TUBE, TEFLON, PTFE, 1/4"OD
3.2	1700581	178.0	LOOM, SPLIT PLASTIC, 1/4, HIGH TEMP
3.3	2200039	20	TIE, NYLON MD, 7"
4	3801322	1	FAST PACK, MAIN BKT, CUMMINS 6.7L
4.1	1520571	3	BOLT, HHCS FLHD PL, M10 X 1.5 X 30
4.2	1520588	2	BOLT, HHCS, PL, G10.9, FL M8X1.25X 40MM

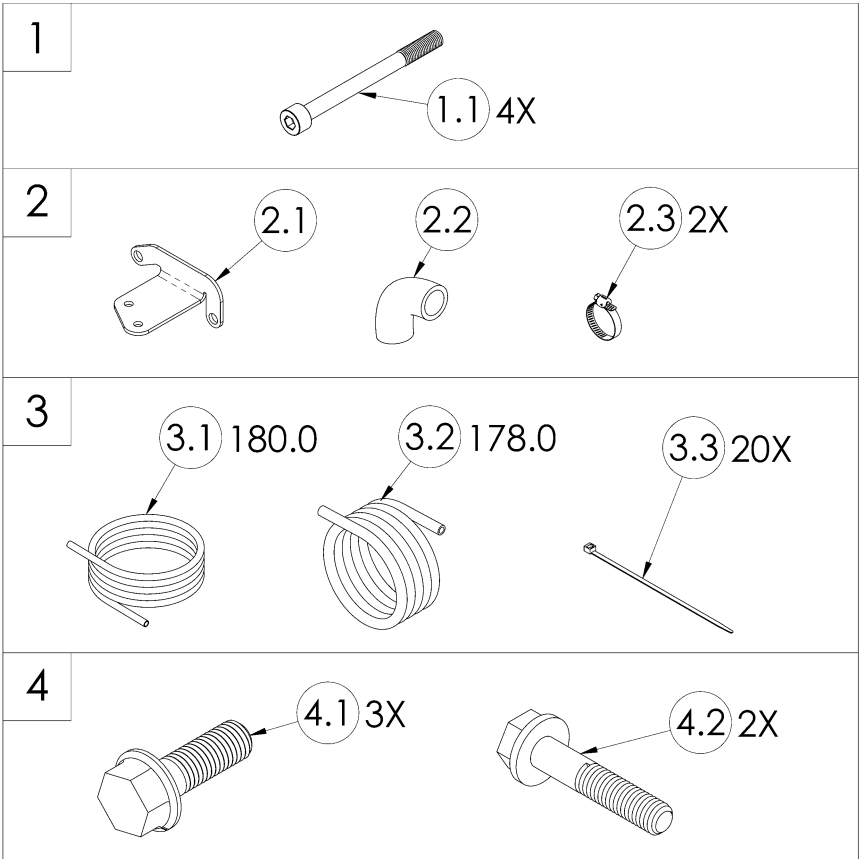
**VMAC – Vehicle Mounted Air Compressors**

Sales: 877-912-6605

Tech: 888-241-2289

Fax: 877-740-3202

[www.vmacair.com](http://www.vmacair.com)



**Figure 2 – Fastener Pack**

**VMAC – Vehicle Mounted Air Compressors**

Sales: 877-912-6605

Tech: 888-241-2289

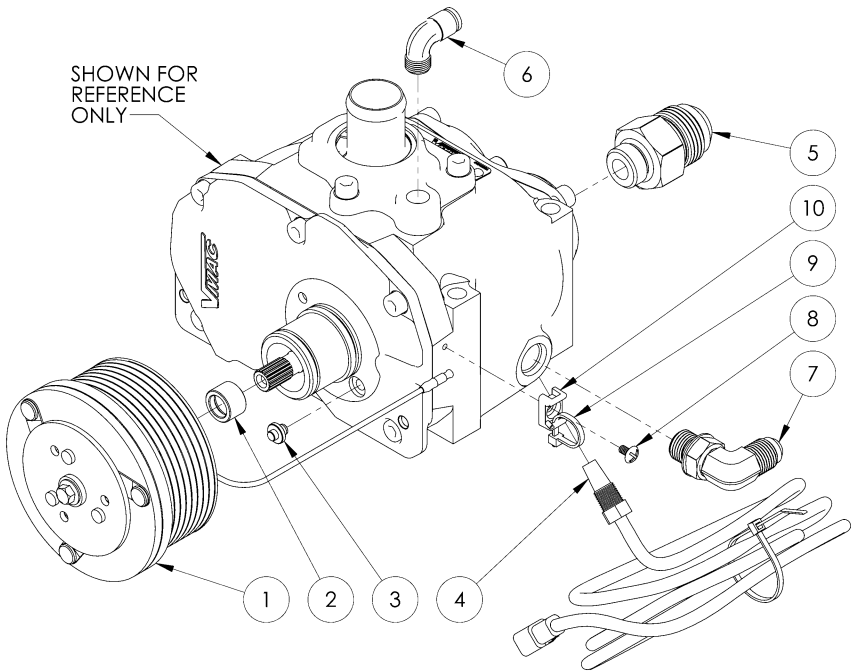
Fax: 877-740-3202

[www.vmacair.com](http://www.vmacair.com)

### 3. Horizontal Discharge Compressor, P130019

Assembly sub-components listed below

Item #	Part #	Qty	Description
1	P200048	1	CLUTCH, COMPLETE, 8 GROOVE, 3.35
2	9230071	1	SPACER, INPUT SHAFT, VR40
3	3200520	1	PIN, FIELD COIL
4	3550682	1	PROBE, ASSY, THERMISTOR, SHORT
5	4900226	1	FTG, STR, #12MJIC-#8MORB, VITON
6	5000020	1	ELBOW, BRASS NPT-POLY, 1/8-1/4
7	4900176	1	FTG, 90, #6MORB-#6MJIC, VITON
8	1500623	1	SCREW, PT HD, PL F-THRD 6-32 X 1/4"
9	2200164	1	TIE, NYLON, BLACK, 8"
10	2200250	1	TIE MOUNT, HEAT STABILIZED NYLON



**Figure 3 – Horizontal Discharge Compressor Assembly**

**VMAC – Vehicle Mounted Air Compressors**

Sales: 877-912-6605

Tech: 888-241-2289

Fax: 877-740-3202

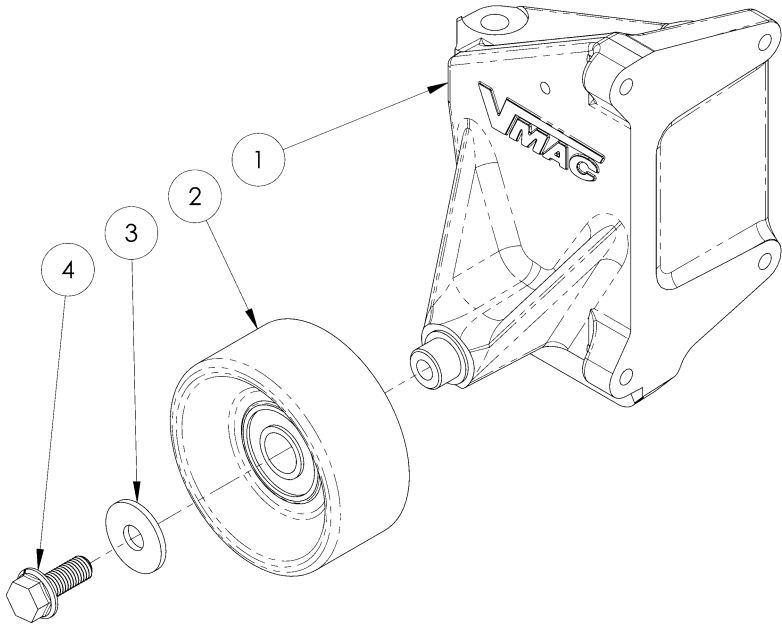
[www.vmacair.com](http://www.vmacair.com)



#### 4. Main Bracket Assembly, 4800820

Assembly sub-components listed below

Item #	Part #	Qty	Description
1	1100247	1	BRACKET, MAIN, VR40, RAM, 6.7L
2	1300010	1	IDLER, SERP 8 RIB BACK STEEL
3	1570496	1	WASHER, FENDER, 10MM X 30MM
4	1520563	1	BOLT,HHCS FLPL G8.8 M10 X1.50 X 25



**Figure 4 – Main Bracket Assembly**

**VMAC – Vehicle Mounted Air Compressors**

Sales: 877-912-6605

Tech: 888-241-2289

Fax: 877-740-3202

[www.vmacair.com](http://www.vmacair.com)

## 5. WHASP Tank Assembly, 9230074

Assembly sub-components listed below

Item #	Part #	Qty	Description
1	9230072	1	ASSY, SHROUD AND DECAL
2	3600079	1	OIL SEPARATOR, SPIN-ON
3	9200039	1	OIL FILTER, VR 3.250 SHORT
4	4900164	1	CAP, #12JIC, MOD
5	3501294	1	SWITCH, PRESSURE, 50-175PSI
6	4300039	1	PIPE FTG, PLUG SKT HEAD, 3/8
7	4500104	1	MUFFLER, SINTERED EXHAUST, 1/8"
8	3600171	1	VALVE, MODIFIED (3600167)
9	4900106	1	PLUG, #5ORB, EXTERNAL HEX, VITON
10	3600054	1	VALVE, SAFETY 200 PSI
11	A700061	1	PYREX WINDOW KIT
12	4900175	1	FTG, STR, #6MJIC-#8MORB, VITON
13	1200852	1	PLATE, MOUNT, FILTER END
14	1200847	1	PLATE, MOUNT, BOLT ON
15	1520601	4	BOLT, HHCS FL PL, M8 X 1.25 X 12
16	6000719	1	SHROUD, FAN, WHASP TANK
17	3501290	1	FAN, PULLER, 7.5"
18	4900128	1	FTG, STR, #12MORB-#12MJIC, VITON
19	5000140	1	ELBOW, BRASS, FORGED, 90DEG, 1/8 PIPE
20	3600123	1	VALVE, CHECK, 1/8 NPT
21	5000212	1	CONNECTOR, BRASS, FNPT-POLY, 1/8-1/4
22	1520590	8	BOLT, HHCS, M6 X 1.0 X 14 FL PL
23	1560516	4	NUT, M6 X 1.0 FL PL
24	4900260	1	FTG, 90, #12MORB-#12MJIC, VITON
25	4900046	1	FTG, STR, #8MORB-#8MJIC

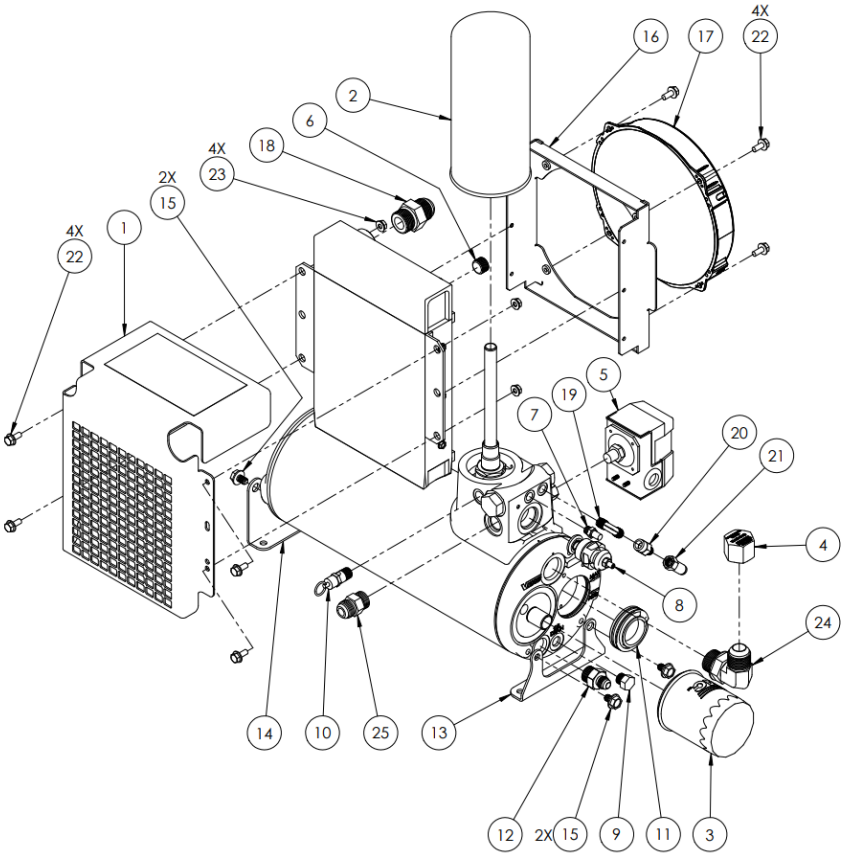
**VMAC – Vehicle Mounted Air Compressors**

Sales: 877-912-6605

Tech: 888-241-2289

Fax: 877-740-3202

[www.vmacair.com](http://www.vmacair.com)



**Figure 5 - WHASP Tank Assembly**

**VMAC – Vehicle Mounted Air Compressors**

Sales: 877-912-6605

Tech: 888-241-2289

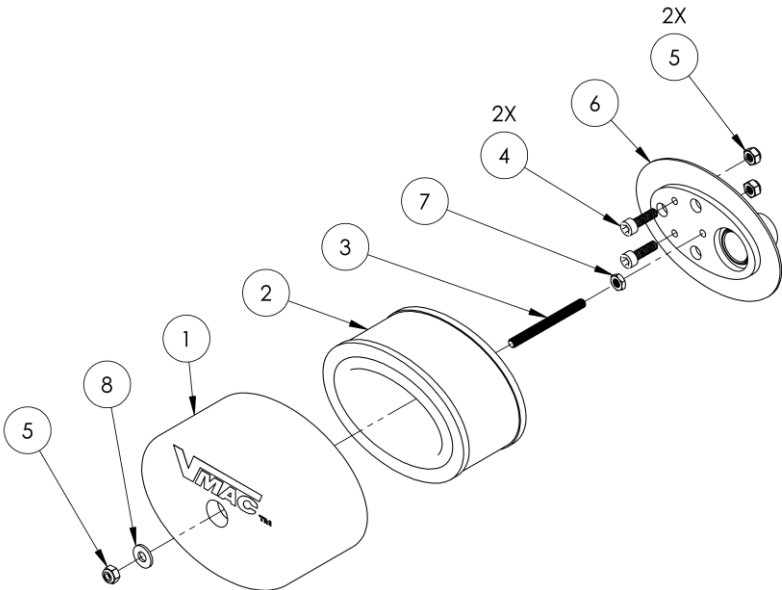
Fax: 877-740-3202

www.vmacair.com

## 6. Air Filter Assembly, 4800674

Assembly sub-components listed below

Item #	Part #	Qty	Description
1	3600066	1	COVER, AIR FILTER, PLASTIC
2	3600037	1	FILTER ELEMENT, PAPER
3	1500584	1	STUD, FULL THREAD, PL, M6 X 1.0 X 65
4	1540555	2	BOLT, SHCS, M6X1.0X20, GR12.9 PLT
5	1560438	3	NUT, NYLOCK, M6
6	9230016	1	WELDMENT, REMOTE AIR FILTER
7	1560523	1	NUT, JAM, PL, M6X 1.0
8	1570038	1	WASHER, FLAT SAE, 1/4



**Figure 6 – Air Filter Assembly**

**VMAC – Vehicle Mounted Air Compressors**

Sales: 877-912-6605

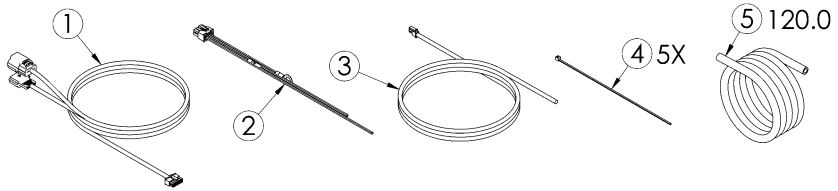
Tech: 888-241-2289

Fax: 877-740-3202

[www.vmacair.com](http://www.vmacair.com)

## 7. Electrical Pack, 3810101

Item #	Part #	Qty	Description
1	3530803	1	CABLE SET, DTC, FOOT PEDAL, MX64
2	3530808	1	CABLE SET, DTC, MAIN WITH PBRAKE
3	3530805	1	CABLE SET, DTC, OBD2
4	2200164	5	TIE, NYLON, BLACK, 8"
5	1700581	120.0	LOOM, SPLIT PLASTIC, ¼, HIGH TEMP



**Figure 7 – Electrical Pack**

**VMAC – Vehicle Mounted Air Compressors**

Sales: 877-912-6605

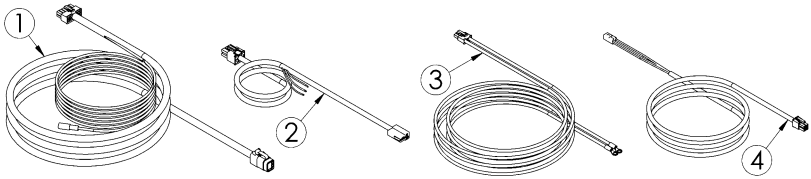
Tech: 888-241-2289

Fax: 877-740-3202

www.vmacair.com

## 8. Electrical Pack, 3810105

Item #	Part #	Qty	Description
1	3550985	1	HARNESS, VR40 CONTROL
2	3550988	1	HARNESS, VR40 POWER
3	3550989	1	HARNESS, VR40 PRESSURE
4	3550990	1	HARNESS, VR40 TEMPERATURE



**Figure 8 – Electrical Pack**

**VMAC – Vehicle Mounted Air Compressors**

Sales: 877-912-6605

Tech: 888-241-2289

Fax: 877-740-3202

[www.vmacair.com](http://www.vmacair.com)

## 9. Accessory Products

Parts listed below are not included with kit - Order through your VMAC dealer

Part #	Description
<b>REGULAR SERVICE KITS</b>	
A700263	200 HOUR SERVICE KIT - VR40 <i>Oil, air and oil filters, next service decal</i>
A700264	400 HOUR SERVICE KIT - VR40 <i>200 hour kit components + coalescing filter, safety valve, blowdown muffler</i>
<b>INSTALLATION HELPER AND REPAIR KITS</b>	
3801095	FASTENER PACK, BULKHEAD FTGS <i>Fittings to route #6 &amp; #12 hoses and 1/4" PTFE tubes through bulkheads or floors</i>
A700224	ACCESSORY PACK, REMOTE MUFFLER <i>Tubing and fittings to relocate WHASP blowdown muffler through bulkheads or floors</i>
A700268	KIT, PTFE TUBE, SCAVENGE <i>Generic parts kit for scavenge tube replacement</i>
A700265	INTERFACE EXTENSION, VR40, 10' <i>Electrical extension harness for user interface panel</i>
<b>INDIVIDUAL FITTINGS</b>	
5000158	ELBOW, BRASS 45 DEG NPT-POLY 1/8-1/4 <i>45° 1/8 MNPT – 1/4" push connect fitting</i>
5000020	ELBOW, BRASS NPT-POLY, 1/8-1/4 <i>90° 1/8 MNPT – 1/4" push connect fitting</i>
5000012	CONNECTOR, BRASS NPT-POLY, 1/8-1/4 <i>Straight 1/8 MNPT – 1/4" push connect fitting</i>
4900117	JIC 90 DEG STEEL, SWIVEL, 3/8 -3/8 <i>90° #6 MJIC - #6 FJIC swivel fitting</i>
4900043	ELBOW, STEEL JIC/JIC SWIVEL, 3/4 <i>90° #12 MJIC - #12 FJIC swivel fitting</i>
<b>AIR HANDLING AND STORAGE</b>	
A700007	HOSE REEL, DRESSED, 1/2 X 50 <i>Auto-retract, 1/2" ID x 50' long hose, 1/2 NPT connections</i>
A800070	AFTERCOOLER, ELIMINATOR70, 70CFM <i>Cools and dries discharge air, 12V fan, 3/4 NPT connections</i>
A700151	FILTER-REGULATOR-LUBRICATOR <i>Conditions discharge air, 3/4 NPT connections, tool oil not included</i>
A300045	TANK, AIR RECEIVER 6 GAL C/W FTGS <i>6 gal wing tank, includes fittings, safety + drain valves, 3/4 NPT ports</i>
A300047	TANK, AIR RECEIVER 10 GAL C/W FTG <i>10 gal surface mount tank, includes fittings, gauge, safety + drain valves, 3/4 NPT ports</i>
A300010	TANK, WING 35 GAL C/W FTG <i>35 gal wing tank, includes fittings, gauge, safety + drain valves, 1 1/2 NPT ports</i>

### VMAC – Vehicle Mounted Air Compressors

Sales: 877-912-6605

Tech: 888-241-2289

Fax: 877-740-3202

www.vmacair.com

**This page intentionally left blank**



**This page intentionally left blank**

**This page intentionally left blank**



Manufactured by



888-241-2289



tech@vmacair.com



877-740-3202



warranty@vmacair.com



www.vmacair.com



kb.vmacair.com



1333 Kipp Road, Nanaimo, B.C., V9X 1R3 Canada